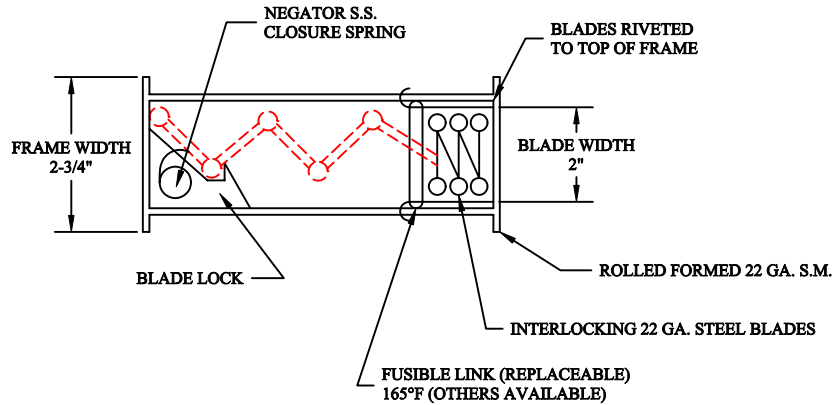
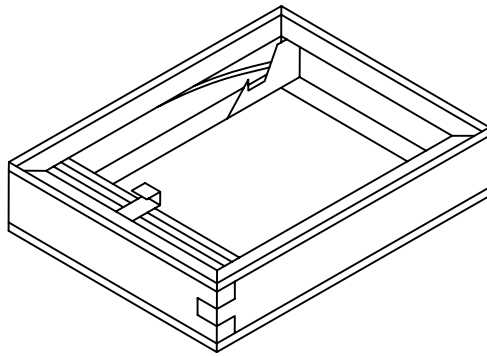


Model U-110 Fire Damper for Static Systems

Vertical or Horizontal Mount - Type A

2-3/4" Deep Thinline

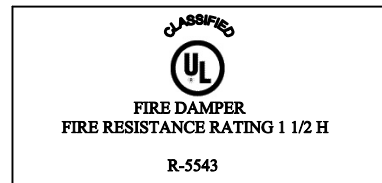


Model: D-110

1. Frame is rollformed 22 ga. galvanized steel.
2. Blades are rollformed 22 ga. galvanized steel.
3. Frame: 2-3/4" depth.
4. Wall or floor opening should exceed nominal sleeve dimension by 1/8" for each linear foot of width and height.
5. Fusible Link: 165°F standard, other UL listed links optional.
6. Operated by 2 Stainless Steel constant tension springs.
7. Maximum Size: 36"w x 36"h
8. Minimum Size: 4"w x 4"h

Options:

1. Sleeve lengths: 12" to 30" and gauge: 22 to 10.
2. Retaining angles: 16 ga, 14 ga, 10 ga, or WAA.



Notes:

For proper operation all dampers must be installed square and free from racking. Unit furnished approximately duct size. Opening must be 1/4" - 1/2" larger than the duct size.

Units are approved for static systems.

This unit is UL Listed for 1-1/2" hour fire walls.

The damper meets or exceeds the requirements of NFPA 90A and complies with UL standards 555.

A static system is one in which the fan/system shuts down during a fire alarm.

110-A

"B" HEIGHT	FREE HEIGHT	"B" HEIGHT	FREE HEIGHT	"B" HEIGHT	FREE HEIGHT	"B" HEIGHT	FREE HEIGHT
6	4.00	16	12.50	26	21.38	36	30.13
8	5.56	18	14.50	28	23.38		
10	7.25	20	16.13	30	24.88		
12	9.25	22	18.13	32	26.50		
14	10.88	24	19.75	34	28.50		

Free Width of damper equals "A" - 1.5

JOB: _____

LOCATION: _____

JOB NO.: _____

ENGINEER: _____

REPRESENTATIVE: _____

CONTRACTOR: _____

DATE: _____

LEADER
Dampers & Louvers

P.O. Box 40913
Nashville, TN 37204
www.leaderindustries.com
A Division of Leader Industries, Inc.

Approval: _____