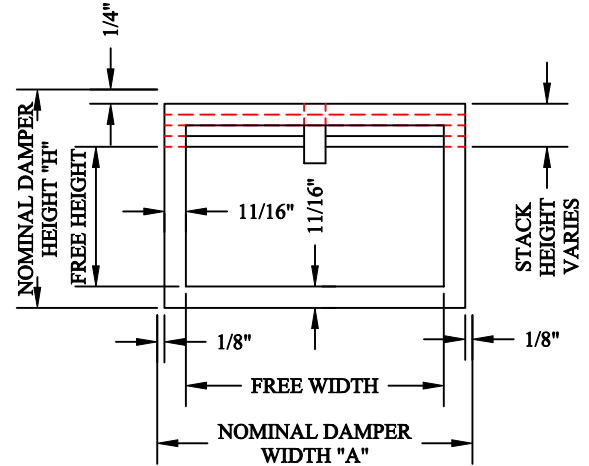
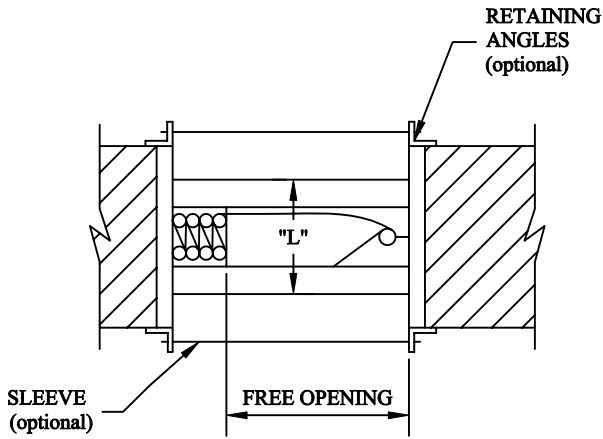


# Model UK-205 Type A

## Fire Dampers for Kitchen Hoods Horizontal Mount - (Vertical Air Flow)



### Model: UK-205

1. Frame is rollformed 22 ga. galvanized steel.
2. Blades are rollformed 22 ga. galvanized steel.
3. Frame: 5" "L" dimension, galvanized steel.
4. Fusible Link: 165°F standard, other UL listed links optional.
5. Operated by 2 Stainless Steel constant tension springs.

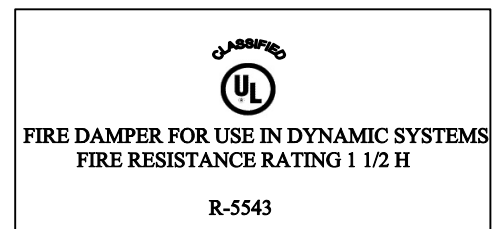
### Notes:

- U.L. 710 and UL 555 approved.
- Available in single section sizes up to 24"w x 18"h.
- Cycled 6000 times.
- U.L. approved for 1-1/2 hours.
- Dynamically proven to close under air flow.

UK-205-A

	FREE "B" HEIGHT	FREE "B" HEIGHT
6	3.88	16 13.19
8	5.81	18 15.06
10	7.69	
12	9.56	
14	11.19	

Free Width of damper equals "A" -1.63



JOB: \_\_\_\_\_  
 LOCATION: \_\_\_\_\_ JOB NO.: \_\_\_\_\_  
 ENGINEER: \_\_\_\_\_ REPRESENTATIVE: \_\_\_\_\_  
 CONTRACTOR: \_\_\_\_\_ DATE: \_\_\_\_\_

**LEADER**  
Dampers & Louvers

P.O. Box 40913  
Nashville, TN 37204  
www.leaderindustries.com  
A Division of Leader Industries, Inc.

Approval: \_\_\_\_\_