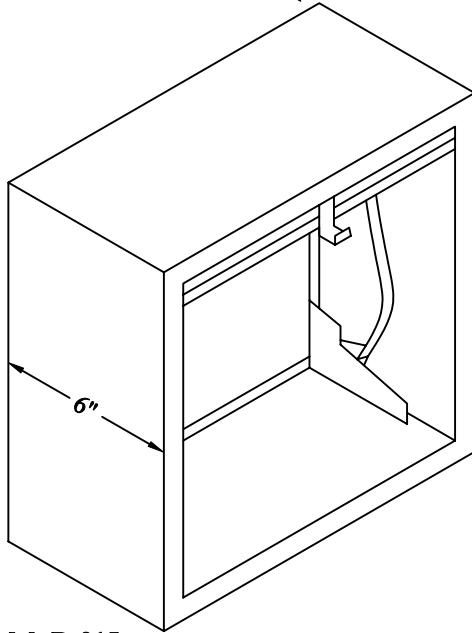


Model D Series 315-WB Dynamic Fire Damper

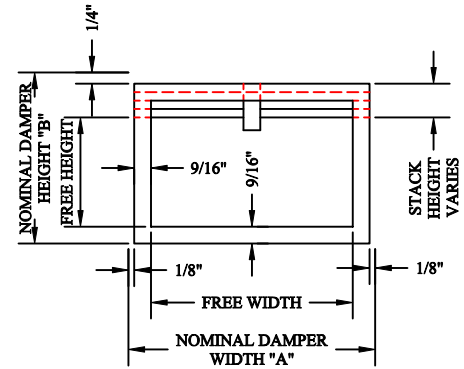
Vertical Mount (Horizontal Air Flow)



California State Fire
Marshal Listed



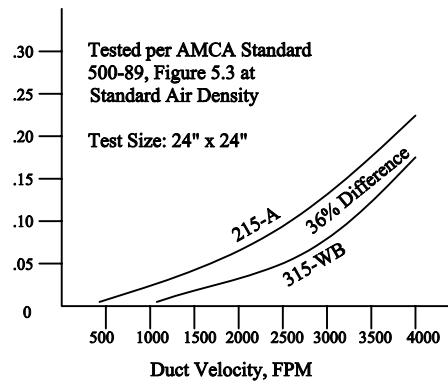
3225-273:104



Model: D-315

1. Frame is rollformed 22 ga. galvanized steel.
2. Blades are rollformed 22 ga. galvanized steel.
3. Frame: 6" wide, galvanized steel.
4. Wall or partition opening should exceed nominal sleeve dimension by 1/8" for each linear foot of width and height.
5. Fusible Link: 165°F standard, other UL listed links optional.
6. Operated by 2 Stainless Steel constant tension springs.
7. Maximum Size: 24"w x 24"h.

Pressure Drop
 ΔP
Inches of Water



Notes:

For proper operation all dampers must be installed square and free from racking. Model D-315 is for mounting in a vertical position for horizontal air flow. It is for the protection of penetrations in fire partitions, or floors, whether these penetrations are for ductwork or wall openings without ductwork.

Model D-315 Fire Dampers are listed by Underwriters Laboratories, Inc. for 1-1/2 hour rating. The dampers meet the requirements of NFPA 90A, U.L. Standard 555, comply with NFPA Bulletin 80, and meet or exceed California State Fire Marshal's Requirements.

It combines the installation ease of a typical type "A" while offering performance characteristic virtually equal to typical type "B" fire damper.

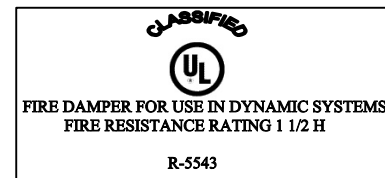
Model 315-WB produces on the average, a 36% lower pressure loss than a typical Type "A" Fire Damper. Using a Model 315-WB will provide virtually a typical Type "B" Fire Damper performance. Test performed by Cert-Aire Technical Services, an independent testing laboratory.

A dynamic system is one in which the fan/system does not shut down during a fire alarm for smoke removal.

315-WB

	FREE "B" HEIGHT	FREE "B" HEIGHT
6	4.47	16 14.29
8	6.47	18 16.04
10	8.47	20 18.04
12	10.29	22 19.85
14	12.29	24 21.85

Free Width of damper equals "A" -1.125



JOB: _____

LOCATION: _____

JOB NO.: _____

ENGINEER: _____

REPRESENTATIVE: _____

CONTRACTOR: _____

DATE: _____

LEADER
Dampers & Louvers

P.O. Box 40913
Nashville, TN 37204
www.leaderindustries.com
A Division of Leader Industries, Inc.

Approval: _____