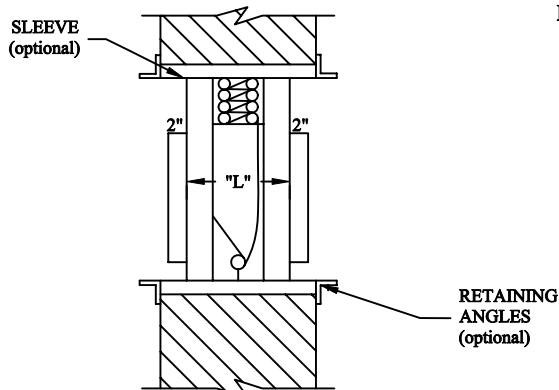


Model D Series 255 Dynamic Fire Damper

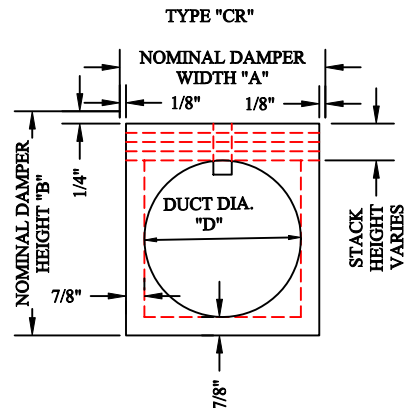
Vertical Mount (Horizontal Air Flow) - Type C, CO, CR



California State Fire
Marshal Listed



3225-273:100



3 HR. RATED

Model: D-255

1. Frame is rollformed 22 ga. galvanized steel.
2. Blades are rollformed 22 ga. galvanized steel.
3. Frame: 5" "L" dimension, galvanized steel.
4. Wall or partition opening should exceed nominal sleeve dimension by 1/8" for each linear foot of width and height.
5. Fusible Link: 165°F standard, other UL listed links optional.
6. Operated by 2 Stainless Steel constant tension springs.
7. Maximum Size: 34"w x 31.5"h, 31.5" diameter.

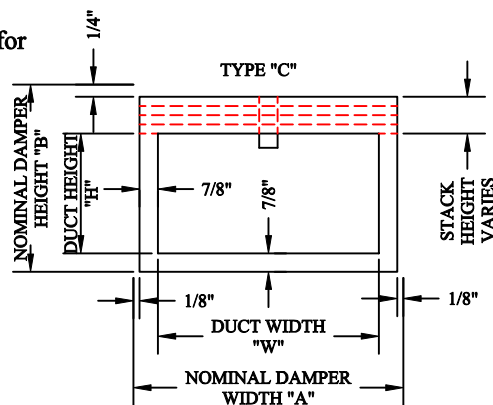
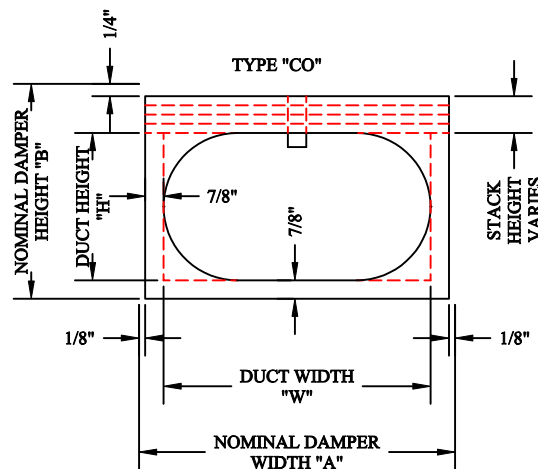
Notes:

For proper operation all dampers must be installed square and free from racking. Type "C" dampers are for use with low or high velocity duct where it is desirable for 100% free area.

Model D-255 is for mounting in a vertical position for horizontal air flow. It is for the protection of penetrations in fire partitions, or floors, whether these penetrations are for ductwork or wall openings without ductwork.

Model D-255 Fire Dampers are listed by Underwriters Laboratories, Inc. for 3 hour rating. The dampers meet the requirements for NFPA 90A, U.L. Standard 555, comply with NFPA Bulletin 80, and meet or exceed California State Fire Marshall's Requirements.

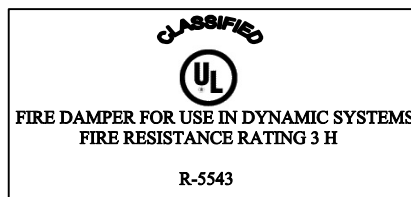
A dynamic system is one in which the fan/system does not shut down during a fire alarm for smoke removal.



255-C

Duct Height "D" or "H"	Nominal Damper Height "B"
4-14	D + 3
15-19	D + 3.5
20-27	D + 4
28-31.5	D + 4.5

Nominal sleeve width equals duct width plus 2"



JOB: _____

LOCATION: _____

JOB NO.: _____

ENGINEER: _____

REPRESENTATIVE: _____

CONTRACTOR: _____

DATE: _____

LEADER
Dampers & Louvers

P.O. Box 40913
Nashville, TN 37204
www.leaderindustries.com
A Division of Leader Industries, Inc.

Approval: _____