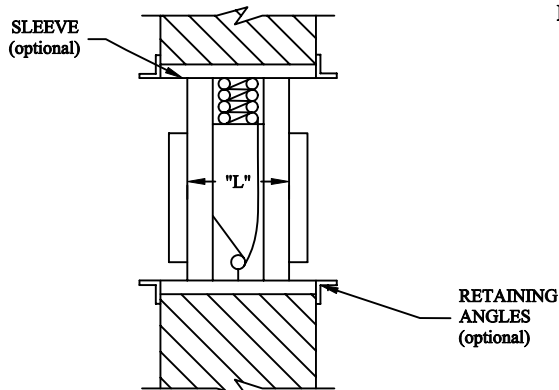


Model D Series 215 Dynamic Fire Damper

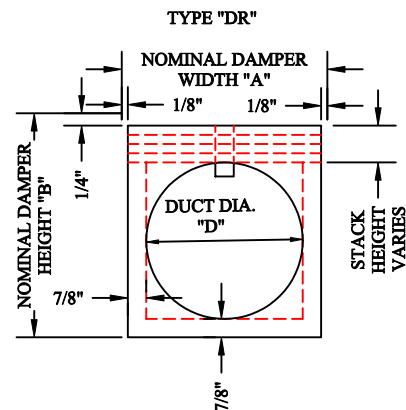
Vertical Mount (Horizontal Air Flow) - Type D, DO, DR



California State Fire
Marshal Listed



3225-273:100



Model: D-205

1. Frame is rollformed 22 ga. galvanized steel.
2. Blades are rollformed 22 ga. galvanized steel.
3. Frame: 5" "L" dimension, galvanized steel.
4. Wall or partition opening should exceed nominal sleeve dimension by 1/8" for each linear foot of width and height.
5. Fusible Link: 165°F standard, other UL listed links optional.
6. Operated by 2 Stainless Steel constant tension springs.
7. Maximum Size: 34"w x 31.5"h, 31.5" diameter.

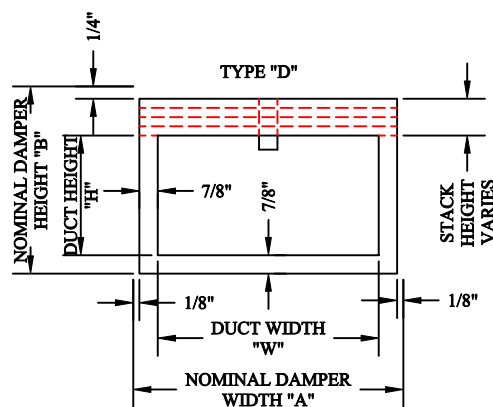
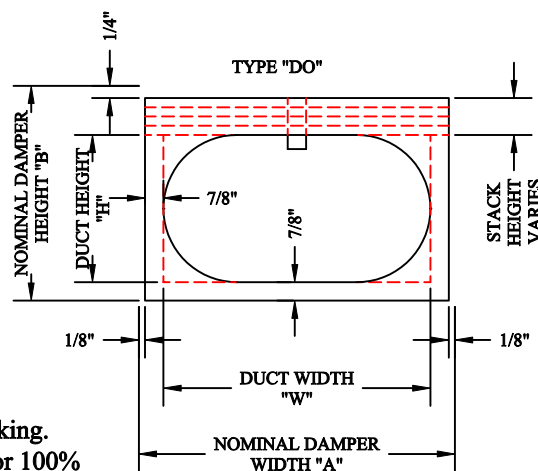
Notes:

For proper operation all dampers must be installed square and free from racking. Type "D" dampers are for use with low velocity duct where it is desirable for 100% free area.

Model D-215 is for mounting in a vertical position for horizontal air flow. It is for the protection of penetrations in fire partitions, or floors, whether these penetrations are for ductwork or wall openings without ductwork.

Model D-215 Fire Dampers are listed by Underwriters Laboratories, Inc. for 1-1/2 hour rating. The dampers meet the requirements for NFPA 90A, U.L. Standard 555, comply with NFPA Bulletin 80, and meet or exceed California State Fire Marshall's Requirements.

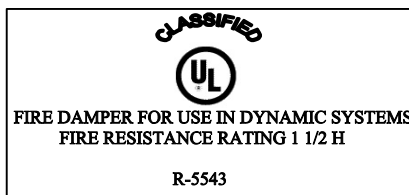
A dynamic system is one in which the fan/system does not shut down during a fire alarm for smoke removal.



215-D

Duct Height "D" or "H"	Nominal Damper Height "B"
4-14	D + 3
15-19	D + 3.5
20-27	D + 4
28-31.5	D + 4.5

Nominal sleeve width equals duct width plus 2"



JOB: _____

LOCATION: _____

JOB NO.: _____

ENGINEER: _____

REPRESENTATIVE: _____

CONTRACTOR: _____

DATE: _____

LEADER
Dampers & Louvers

P.O. Box 40913
Nashville, TN 37204
www.leaderindustries.com
A Division of Leader Industries, Inc.

Approval: _____