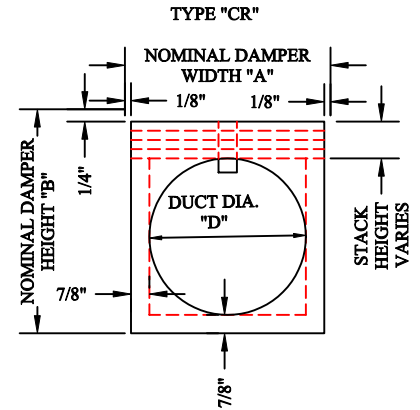
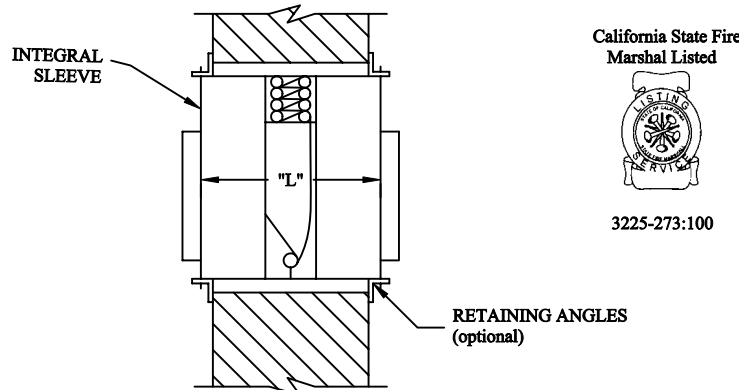


Model D Series 215 Dynamic Fire Damper

Vertical Mount (Horizontal Air Flow) - Type CX, COX, CRX Integral Sleeve Fire Damper



Model: D-205

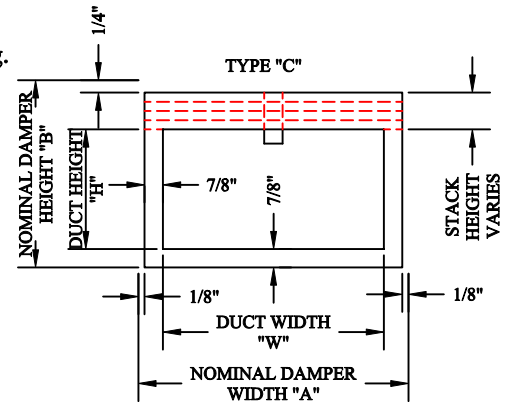
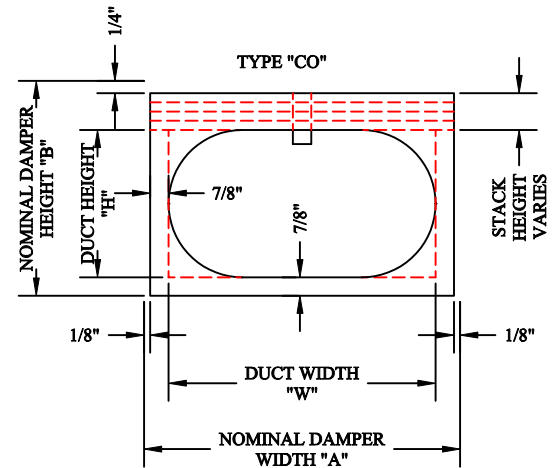
1. Frame is rollformed 20 ga. galvanized steel.
2. Blades are rollformed 22 ga. galvanized steel.
3. Frame "L" dimension is standard 12".
4. Wall or floor opening should exceed nominal sleeve dimension by 1/8" for each linear foot of width and height.
5. Fusible Link: 165°F standard, other UL listed links optional.
6. Operated by 2 Stainless Steel constant tension springs.
7. Maximum Size: 34"w x 31.5"h, 31.5" diameter.

Options:

1. Sleeve lengths: 14" to 22" long, gauge: 20 or 18.
2. Retaining angles: 16 ga., 14 ga., 10ga. or WAA.
3. 18 gauge rollformed frame is available at an additional cost.

Notes:

For proper operation all dampers must be installed square and free from racking. Type "C" dampers are for use with low or high velocity duct where it is desirable for 100% free area. Dampers are factory sealed. Model D-215 is for mounting in a vertical position for horizontal air flow. It is for the protection of penetrations in fire partitions, or floors, whether these penetrations are for ductwork or wall openings without ductwork. Model D-215 Fire Dampers are listed by Underwriters Laboratories, Inc. for 1-1/2 hour rating. The dampers meet the requirements for NFPA 90A, U.L. Standard 555, comply with NFPA Bulletin 80, and meet or exceed California State Fire Marshall's Requirements. A dynamic system is one in which the fan/system does not shut down during a fire alarm for smoke removal.

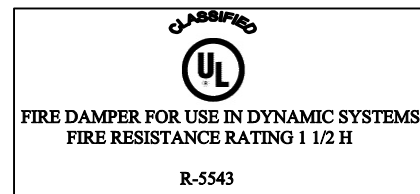


215-C

Duct Height "D" or "H"	Nominal Damper Height "B"
4-14	D + 3
15-19	D + 3.5
20-27	D + 4
28-31.5	D + 4.5

Nominal sleeve width equals duct width plus 2"

No Sleeve Required
When duct thickness is 20 ga. or less, and Slip Joints are used, per UL 555.



JOB: _____

LOCATION: _____ JOB NO.: _____

ENGINEER: _____ REPRESENTATIVE: _____

CONTRACTOR: _____ DATE: _____

LEADER
Dampers & Louvers

P.O. Box 40913
Nashville, TN 37204
www.leaderindustries.com
A Division of Leader Industries, Inc.

Approval: _____