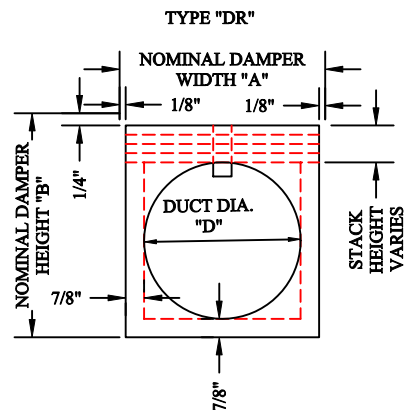
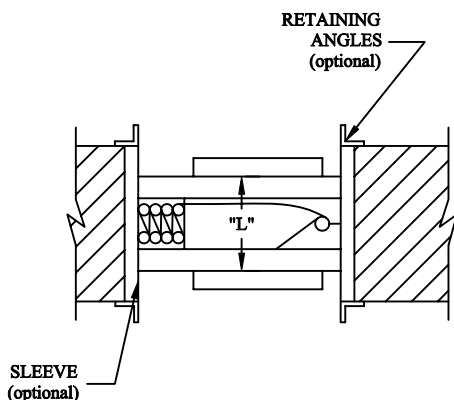


Model D Series 207 Dynamic Fire Damper

Vertical or Horizontal Mount - Type D, DO, DR

304 Stainless Steel



Model: D-205

1. Frame is rollformed 22 ga. stainless steel.
2. Blades are rollformed 22 ga. stainless steel.
3. Frame: 5" "L" dimension, galvanized steel.
4. Wall or partition opening should exceed nominal sleeve dimension by 1/8" for each linear foot of width and height.
5. Fusible Link: 165°F standard, other UL listed links optional.
6. Operated by 2 Stainless Steel constant tension springs.
7. Maximum Size: 22"w x 20"h, 20" diameter.

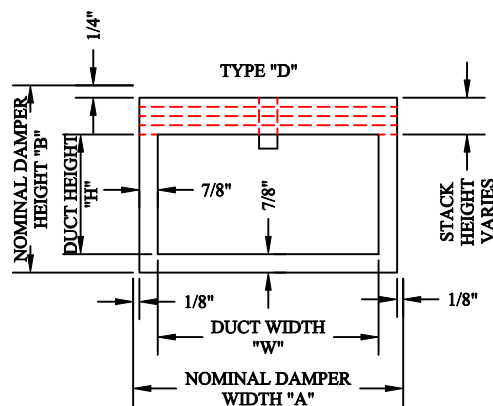
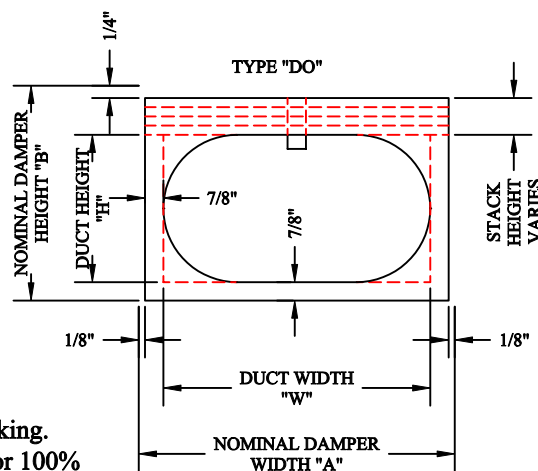
Notes:

For proper operation all dampers must be installed square and free from racking. Type "D" dampers are for use with low velocity duct where it is desirable for 100% free area.

Model D-207 is for mounting in a horizontal or vertical position. It is for the protection of penetrations in fire partitions, or floors, whether these penetrations are for ductwork or wall openings without ductwork.

Model D-207 Fire Dampers are listed by Underwriters Laboratories, Inc. for 1-1/2 hour rating. The dampers meet the requirements for NFPA 90A, U.L. Standard 555, comply with NFPA Bulletin 80, and meet or exceed California State Fire Marshall's Requirements.

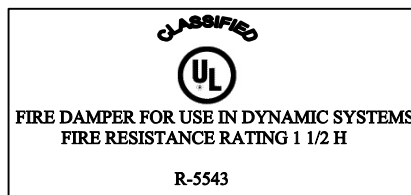
A dynamic system is one in which the fan/system does not shut down during a fire alarm for smoke removal.



207-D

| Duct Height "D" or "H" | Nominal Damper Height "B" |
|------------------------|---------------------------|
| 4-14 | D + 3 |
| 15-19 | D + 3.5 |
| 20 | D + 4 |

Nominal sleeve width equals duct width plus 2"



JOB: _____

LOCATION: _____

JOB NO.: _____

ENGINEER: _____

REPRESENTATIVE: _____

CONTRACTOR: _____

DATE: _____

LEADER
Dampers & Louvers

P.O. Box 40913
Nashville, TN 37204
www.leaderindustries.com
A Division of Leader Industries, Inc.

Approval: _____