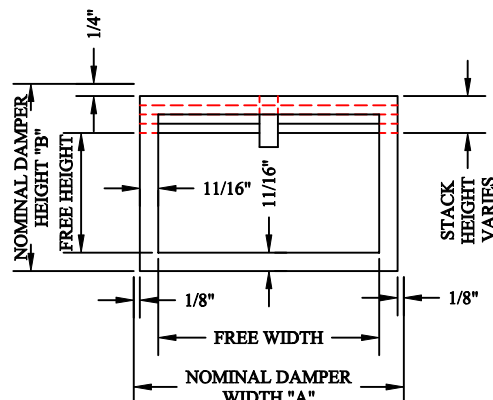
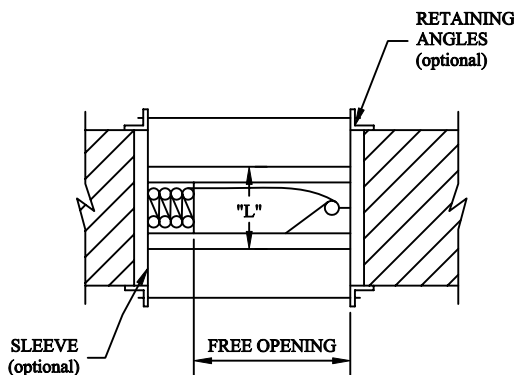


Model D Series 207 Dynamic Fire Damper

Vertical or Horizontal Mount - Type A

304 Stainless Steel



Model: D-207 (304 Stainless Steel)

1. Frame is rollformed 22 ga. stainless steel.
2. Blades are rollformed 22 ga. stainless steel.
3. Frame: "L" dimension is 5".
4. Wall or floor opening should exceed nominal sleeve dimension by 1/8" for each linear foot of width and height.
5. Fusible Link: 165°F standard, other UL listed links optional.
6. Operated by 2 Stainless Steel constant tension springs.
7. Maximum Size: 24"w x 24"h
8. Minimum Size: 6"w x 6"h

Options:

1. Sleeve lengths: 12" to 30"
gauge: 22 to 10.
2. Retaining angles: 16 ga, 14 ga, 10 ga, or WAA.

Notes:

For proper operation all dampers must be installed square and free from racking. Unit furnished approximately duct size. Opening must be 1/4" - 1/2" larger than the duct size.

Units are approved for dynamic systems.

This unit is UL Listed for 1-1/2 hour fire walls or floors.

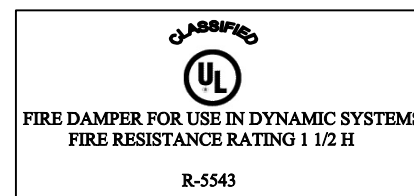
The damper meets or exceeds the requirements of NFPA 90A and complies with UL standards 555.

A dynamic system is one in which the fan/system does not shut down during a fire alarm for smoke removal.

207-A

	FREE "B" HEIGHT	FREE "B" HEIGHT	FREE "B" HEIGHT
6	3.88	16	13.19
8	5.81	18	15.06
10	7.69	20	16.75
12	9.56	22	18.75
14	11.19	24	20.69

Free Width of damper equals "A" - 1.75



JOB: _____
 LOCATION: _____ JOB NO.: _____
 ENGINEER: _____ REPRESENTATIVE: _____
 CONTRACTOR: _____ DATE: _____

LEADER
Dampers & Louvers

P.O. Box 40913
Nashville, TN 37204
www.leaderindustries.com
A Division of Leader Industries, Inc.

Approval: _____