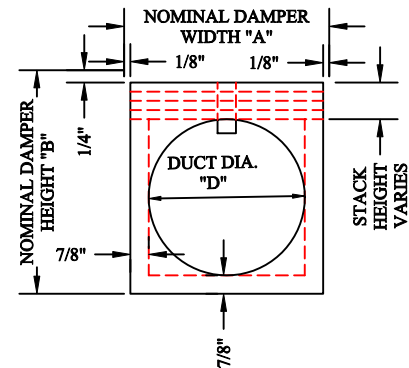
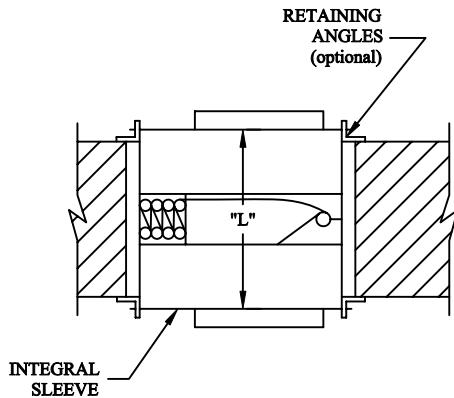


Model D Series 205 Dynamic Fire Damper

Vertical or Horizontal Mount - Type RX

Integral Sleeve Fire Damper



Model: D-205

1. Frame is rollformed 20 ga. galvanized steel.
2. Blades are rollformed 22 ga. galvanized steel.
3. Frame length is standard 12".
4. Wall or floor opening should exceed nominal sleeve dimension by 1/8" for each linear foot of width and height.
5. Fusible Link: 165°F standard, other UL listed links optional.
6. Operated by 2 Stainless Steel constant tension springs.
7. Maximum Size 22" diameter.

Options:

1. Sleeve lengths: 14" to 20" and gauge: 20 to 18.
2. Retaining angles: 16 ga, 14 ga, 10 ga, or WAA

Notes:

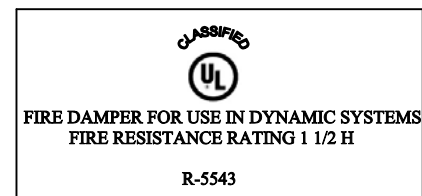
For proper operation all dampers must be installed square and free from racking. Type "RX" dampers are for use with low velocity duct where it is desirable for less than 100% free area. Unit furnished approximately duct size. Opening must be 1/4"-1/2" larger than the duct size. Units are approved for dynamic system. This unit is UL Listed for 1-1/2 hour fire walls or floors. The damper meets or exceeds the requirements of NFPA 90A and complies with UL standards 555. A dynamic system is one in which the fan/system does not shut down during a fire alarm for smoke removal.

205-RX

Duct Height "D" or "H"	Nominal Damper Height "B"
4-14	D + 3
15-19	D + 3.5
20-22	D + 4

Nominal sleeve width equals duct width plus 2"

No Sleeve Required
When duct thickness is 20 ga. or less, and Slip Joints are used, per UL 555.



JOB: _____
 LOCATION: _____ JOB NO.: _____
 ENGINEER: _____ REPRESENTATIVE: _____
 CONTRACTOR: _____ DATE: _____



Approval: _____