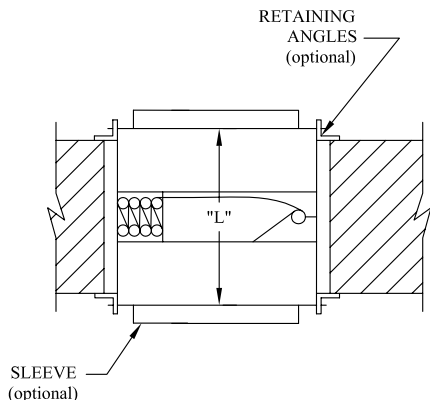
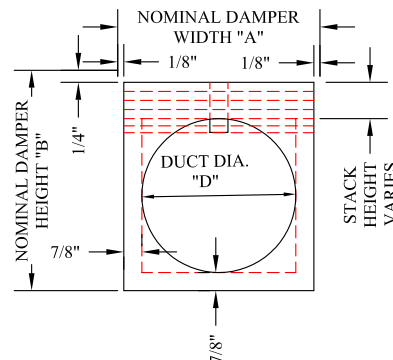


Model D Series 205 Dynamic Fire Damper

Vertical or Horizontal Mount - Type R



Nominal sleeve width and height equals duct plus 2"



Model: D-205

1. Frame is rollformed 22 ga. galvanized steel.
2. Blades are rollformed 22 ga. galvanized steel.
3. Frame: 5" "L" dimension, galvanized steel.
4. Wall or partition opening should exceed nominal sleeve dimension by 1/8" for each linear foot of width and height.
5. Fusible Link: 165°F standard, other UL listed links optional.
6. Operated by 2 Stainless Steel constant tension springs.
7. Maximum Size 22" diameter.

Notes:

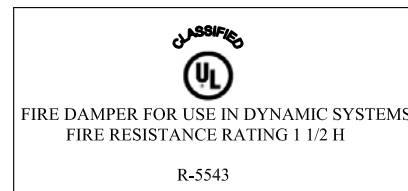
For proper operation all dampers must be installed square and free from racking. Type "R" dampers are for use with low velocity duct where it is desirable for less than 100% free area.

Model D-205 is for mounting in a horizontal or vertical position.

It is for the protection of penetrations in fire partitions, or floors, whether these penetrations are for ductwork or wall openings without ductwork.

Model D-205 Fire Dampers are listed by Underwriters Laboratories, Inc. for 1-1/2 hour rating. The dampers meet the requirements of NFPA 90A, U.L. Standard 555, comply with NFPA Bulletin 80, and meet or exceed California State Fire Marshall's Requirements.

A dynamic system is one in which the fan/system does not shut down during a fire alarm for smoke removal.



JOB: _____
 LOCATION: _____ JOB NO.: _____
 ENGINEER: _____ REPRESENTATIVE: _____
 CONTRACTOR: _____ DATE: _____



Approval: _____