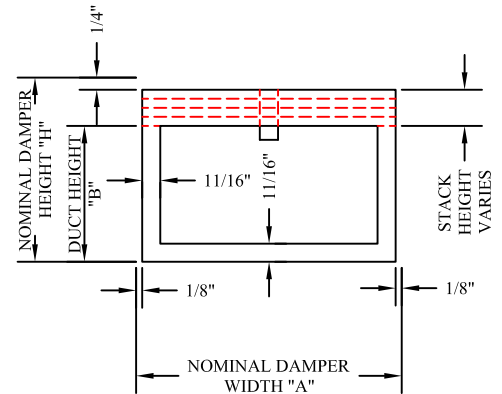
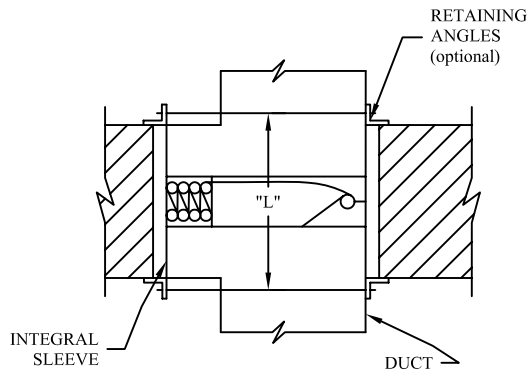


Model D Series 205 Dynamic Fire Damper

Vertical or Horizontal Mount - Type BX

Integral Sleeve Fire Damper



Model: D-205

1. Frame is rollformed 20 ga. galvanized steel.
2. Blades are rollformed 22 ga. galvanized steel.
3. Frame "L" dimension is standard 12"
4. Wall or floor opening should exceed nominal sleeve dimension by 1/8" for each linear foot of width and height.
5. Fusible Link: 165°F standard, other UL listed links optional.
6. Operated by 2 Stainless Steel constant tension springs.
7. Maximum Size: 24"w x 21"h

Options:

1. Sleeve length: 14" to 22" and gauge: 20 to 18.
2. Retaining angles: 16 ga, 14 ga, 10ga, or WAA.
3. 18 gauge rollformed frame is available at an additional cost.

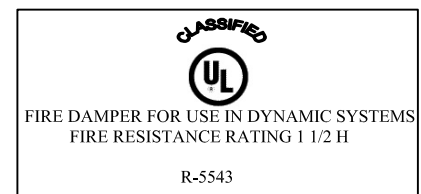
Notes:

For proper operation all dampers must be installed square and free from racking. Model D-205-BX is for mounting in a horizontal or vertical position. It is for the protection of penetrations in fire partitions, of fire walls, whether these penetrations are for ductwork or wall openings without ductwork. Model D-205 Fire Dampers are listed by Underwriters Laboratories, Inc. for 1-1/2 hour rating. The damper meets the requirements of NFPA 90A, U.L. Standard 555, comply with NFPA Bulletin 80, and meet or exceed California State Fire Marshal's Requirements. A dynamic system is one in which the fan/system does not shut down during a fire alarm for smoke removal.

No Sleeve Required
When duct thickness is 20 ga. or less,
and Slip Joints are used, per UL 555.

205-BX	
Duct Height "B"	Nominal Damper Height "H"
4-14	B + 2
15-19	B + 2.5
20-21	B + 3

Nominal damper width is same as duct.



JOB: _____

LOCATION: _____ JOB NO.: _____

ENGINEER: _____ REPRESENTATIVE: _____

CONTRACTOR: _____ DATE: _____



Approval: _____