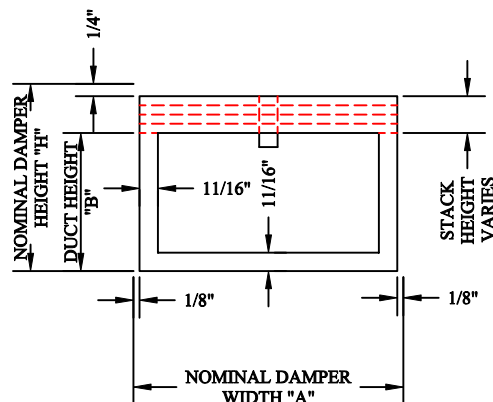
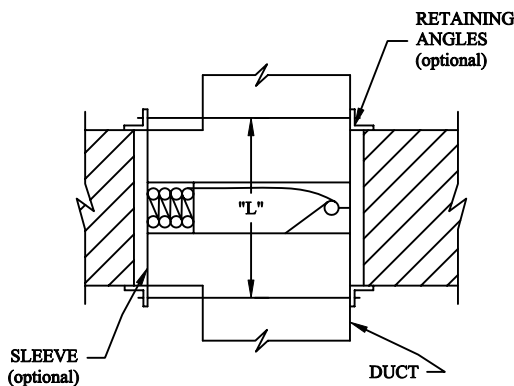


Model D Series 205 Dynamic Fire Damper

Vertical or Horizontal Mount - Type B



Model: D-205

1. Frame is rollformed 22 ga. galvanized steel.
2. Blades are rollformed 22 ga. galvanized steel.
3. Frame: 5" "L" dimension, galvanized steel.
4. Wall or partition opening should exceed nominal sleeve dimension by 1/8" for each linear foot of width and height.
5. Fusible Link: 165°F standard, other UL listed links optional.
6. Operated by 2 Stainless Steel constant tension springs.
7. Maximum Size: 24"w x 21"h

205-B

Duct Height "B"	Nominal Damper Height "H"
4-14	B + 2
15-19	B + 2.5
20-21	B + 3

Nominal damper width is same as duct.

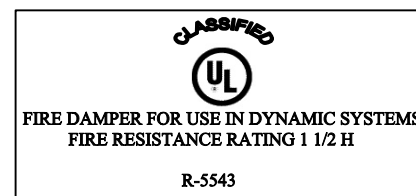
Notes:

For proper operation all dampers must be installed square and free from racking.

Model D-205-B is for mounting in a horizontal or vertical position. It is for the protection of penetrations in fire partitions or floors, whether these penetrations are for ductwork or wall openings without ductwork.

Model D-205 Fire Dampers are listed by Underwriters Laboratories, Inc. for 1-1/2 hour rating. The damper meets the requirements of NFPA 90A, U.L. Standard 555, comply with NFPA Bulletin 80, and meet or exceed California State Fire Marshal's Requirements.

A dynamic system is one in which the fan/system does not shut down during a fire alarm for smoke removal.



JOB: _____

LOCATION: _____

JOB NO.: _____

ENGINEER: _____

REPRESENTATIVE: _____

CONTRACTOR: _____

DATE: _____

LEADER
Dampers & Louvers

P.O. Box 40913
Nashville, TN 37204
www.leaderindustries.com
A Division of Leader Industries, Inc.

Approval: _____