

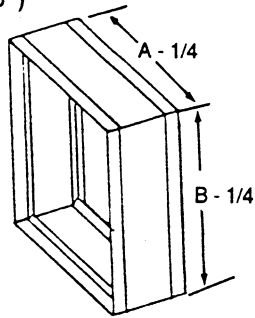
CURTAIN TYPE FIRE DAMPERS

REFER TO SUBMITTAL PAGES FOR STACK HEIGHT AND ADDITIONAL INFORMATION.

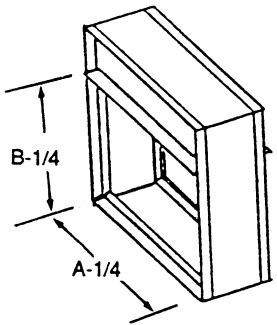
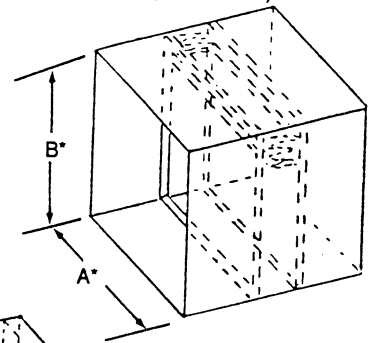
NON SLEEVED
(FRAME WIDTH 5.13")

*NOTE: INTEGRAL SLEEVE DAMPERS
HAVE OUTSIDE DIMENSIONS MINUS 1/4".

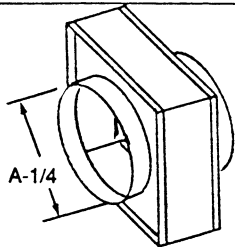
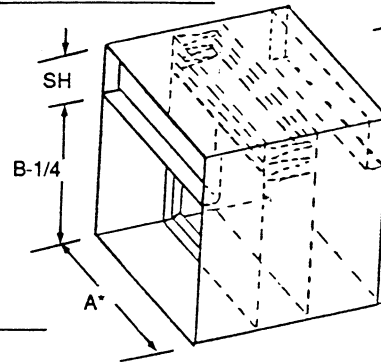
SLEEVED
(LENGTH VARIES, STD 12")



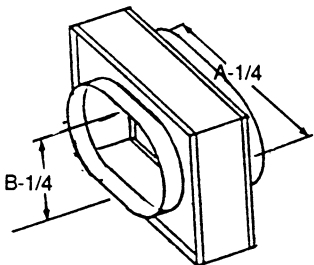
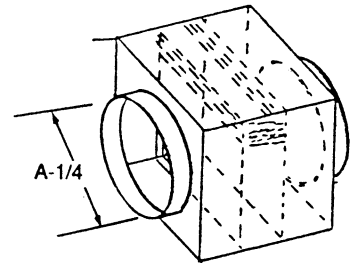
TYPE "A"



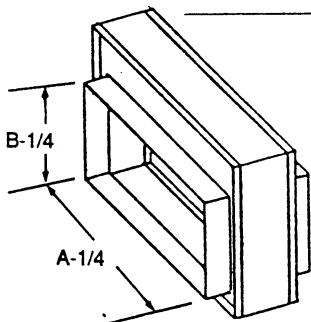
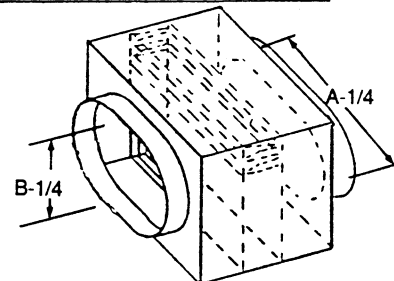
TYPE "B"



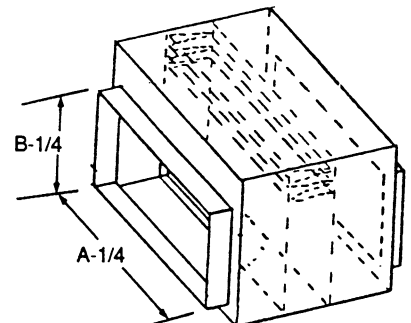
TYPE "CR" or "DR" or "R"
(ROUND)



TYPE "CO" or "DO"
(OVAL)



TYPE "C" or "D"
(SQUARE/RECTANGLE)



*SH (STACK HEIGHT) VARIES
ACCORDING TO NO. OF BLADES

LEADER

P.O. Box 40913
Nashville, TN 37204
www.leaderindustries.com

A Division of Leader Industries, Inc.