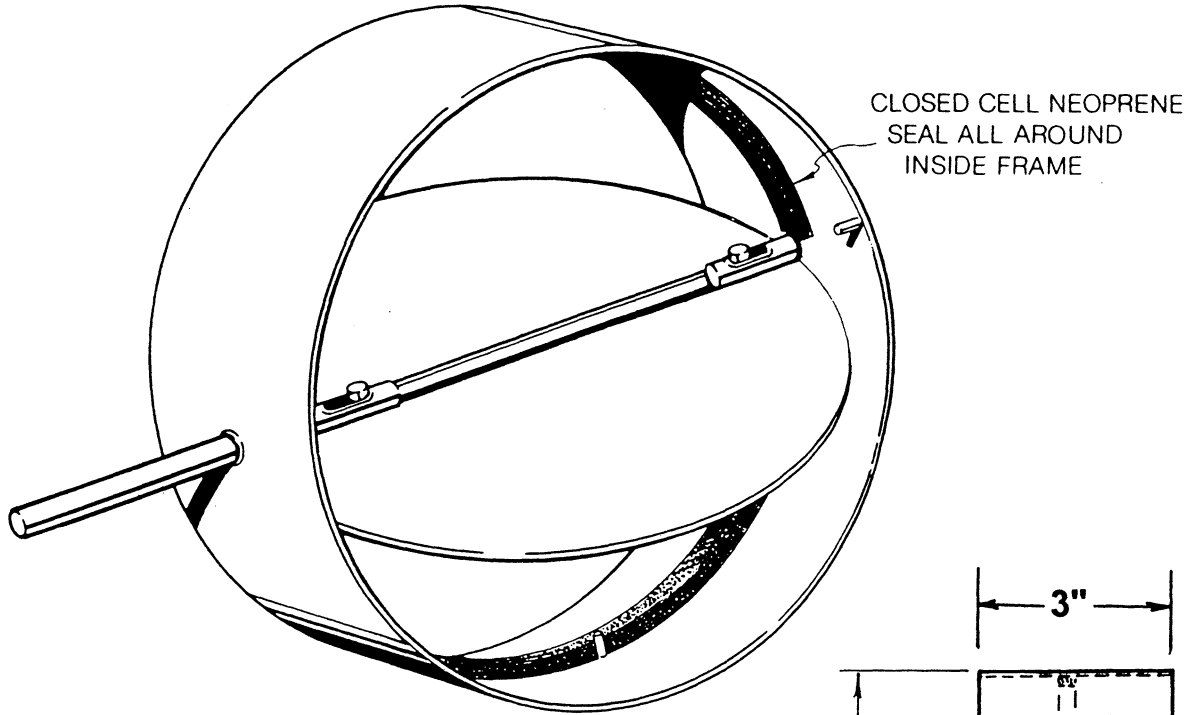


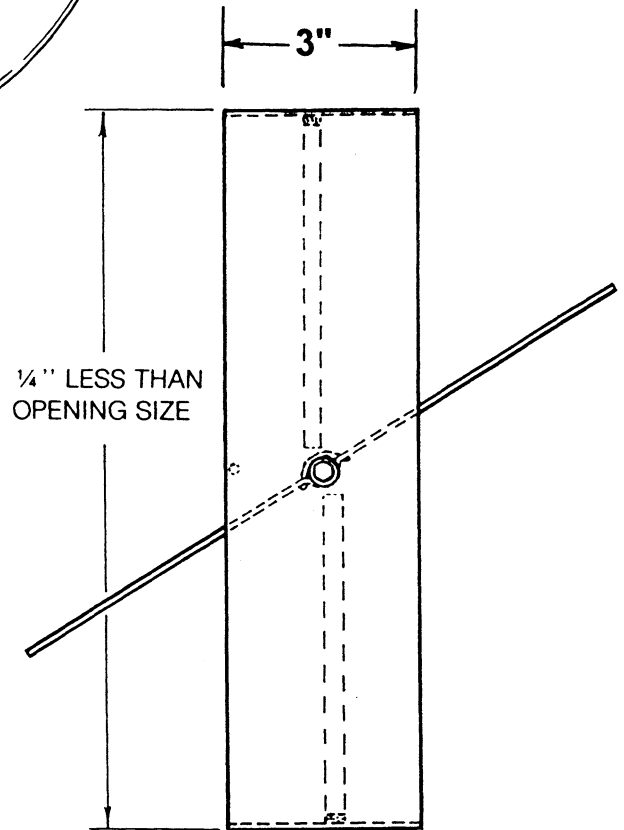
# Model RCD Control Damper Single Blade Round



CLOSED CELL NEOPRENE  
SEAL ALL AROUND  
INSIDE FRAME

### STANDARD SPECIFICATIONS:

- Frame: 3" x 12 ga. galvanized steel
- Blade: 14 ga. galvanized steel, crimped for extra strength
- Bearings: 1/2" I.D. nylon
- Control shaft: 6" long x 1/2" round
- Minimum size: 6" diameter
- Maximum size: Consult factory
- Finish: Mill finish galvanized



JOB \_\_\_\_\_

LOCATION \_\_\_\_\_ JOB NO. \_\_\_\_\_

ENGINEER \_\_\_\_\_ REPRESENTATIVE \_\_\_\_\_

CONTRACTOR \_\_\_\_\_ DATE \_\_\_\_\_

RCD-1-1998