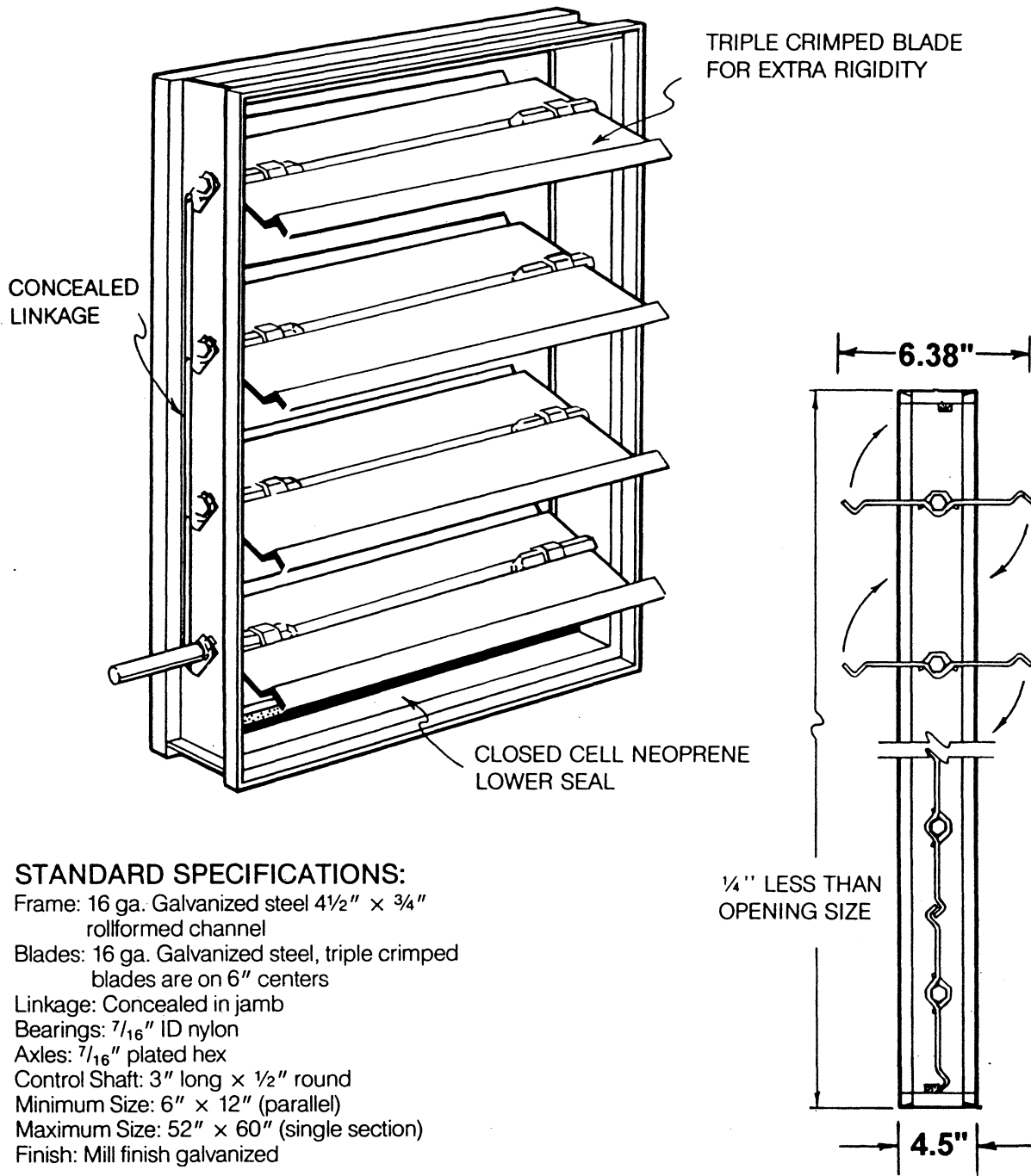


# Model PCD Control Damper Parallel Blade



## STANDARD SPECIFICATIONS:

Frame: 16 ga. Galvanized steel 4 1/2" x 3/4" rollformed channel  
 Blades: 16 ga. Galvanized steel, triple crimped blades are on 6" centers  
 Linkage: Concealed in jamb  
 Bearings: 7/16" ID nylon  
 Axles: 7/16" plated hex  
 Control Shaft: 3" long x 1/2" round  
 Minimum Size: 6" x 12" (parallel)  
 Maximum Size: 52" x 60" (single section)  
 Finish: Mill finish galvanized

JOB \_\_\_\_\_

LOCATION \_\_\_\_\_ JOB NO. \_\_\_\_\_

ENGINEER \_\_\_\_\_ REPRESENTATIVE \_\_\_\_\_

CONTRACTOR \_\_\_\_\_ DATE \_\_\_\_\_

PCD-1-1998

**CREATIVE METALS**

Division of Leader Industries Inc.

P.O. Box 40913  
 2509 Cruzen Street

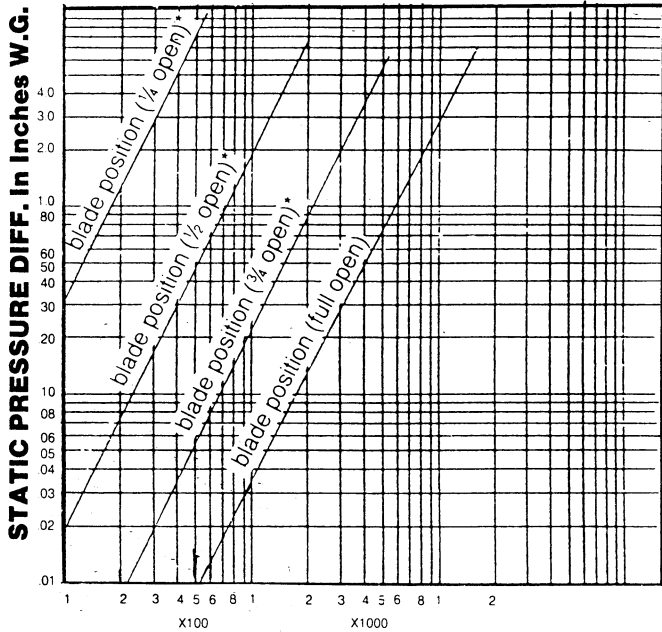
Nashville, TN 37204  
 Nashville, TN 37211

Phone: 615-256-3500  
 Fax: 800-388-3806

**PERFORMANCE DATA**

**Pressure Drop**

**FREE AREA**



**WIDTH**

	6	12	18	24	30	36	42	48	52
6	.114	.270	.426	.582	.739	.895	1.05	1.21	1.31
12	.270	.641	1.01	1.38	1.75	2.12	2.49	2.86	3.11
18	.438	1.04	1.64	2.24	2.84	3.44	4.04	4.64	5.04
24	.606	1.44	2.27	3.10	3.93	4.76	5.59	6.42	6.98
30	.774	1.84	2.90	3.96	5.02	6.08	7.14	8.21	8.91
36	.942	2.23	3.53	4.82	6.11	7.40	8.69	9.98	10.85
42	1.11	2.63	4.16	5.68	7.20	8.72	10.24	11.77	12.78
48	1.28	3.03	4.78	6.54	8.29	10.04	11.80	13.55	14.72
54	1.45	3.43	5.41	7.40	9.38	11.36	13.35	15.33	16.65
60	1.62	3.82	6.04	8.26	10.47	12.68	14.90	17.11	18.59

Free area is the actual free area of the damper, less the blades, frame, and/or linkage.

**TEST SIZE 24"x24"**

**VELOCITY F.P.M.**

The tables have been developed through tests done at an independent testing laboratory to assist in application and selection of air control dampers. Performance shown is at standard air density of .075 lb/ft<sup>3</sup>.

These dampers have been tested and operated at 2500 FPM at 4" S.P. If conditions exceed specified velocity or pressure, consult factory.

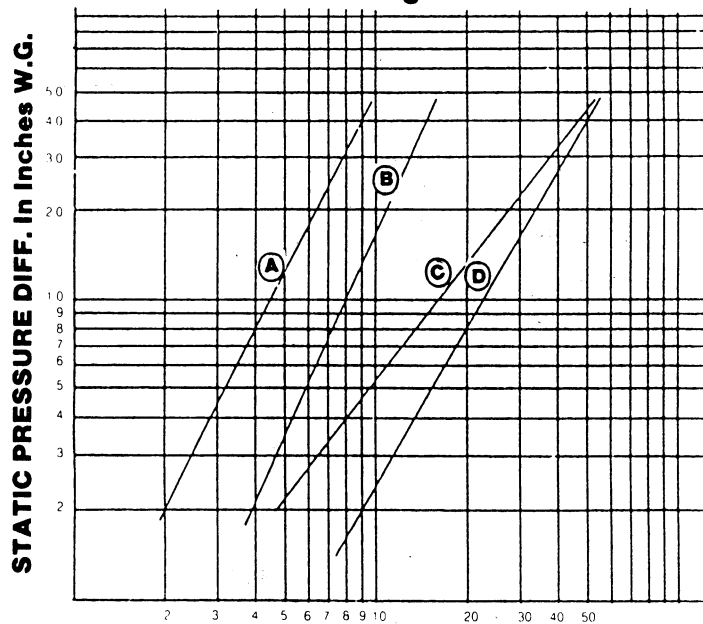
Test size is 24" wide by 24" high.

Pressure drop test are based on AMCA standard 500 using test set-up figure 5.3 for dampers installed with duct upstream and downstream.

Dampers with the same percent of free area (Damper area divided by Actual free area x 100) will have the same pressure drop. The percent of free area is proportional to its pressure loss and can be interpolated using the reference point of the 24" wide by 24" high at a given airflow.

\*Model OCD (Opposed Blade)

**Air Leakage**



**LEAKAGE IN C.F.M./Sq. Ft.**

Air Leakage

- A. Leakage of the damper with stainless blade and jamb seals.
- B. Leakage of the damper with silicone blade and aluminum jamb seals.
- C. Leakage of the damper with aluminum jamb seals only.
- D. Leakage of the damper with blade seals only.



A Leaders Industries Division