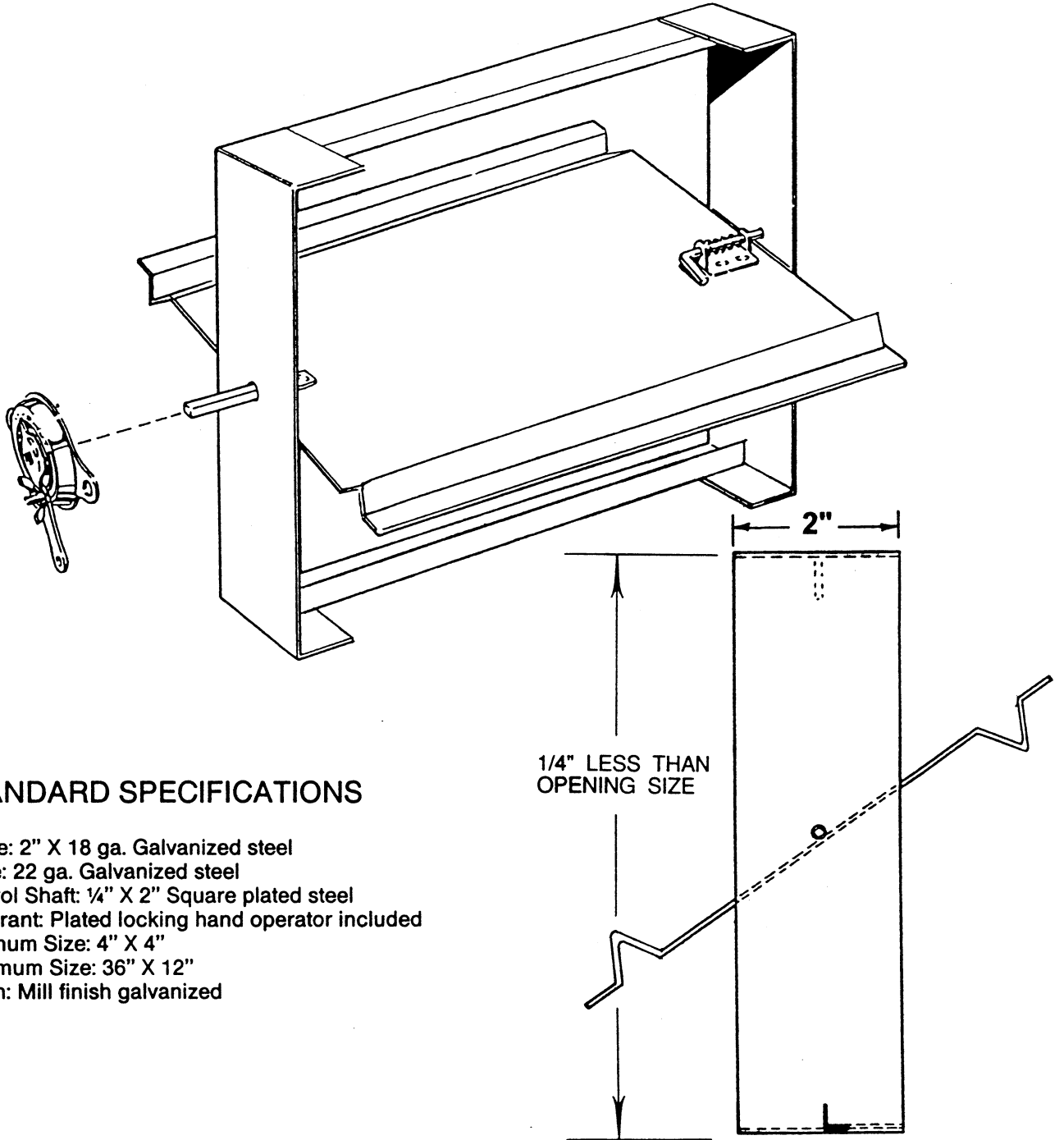


Model EGS Control Damper

Light Duty Balancing Damper



STANDARD SPECIFICATIONS

- Frame: 2" X 18 ga. Galvanized steel
- Blade: 22 ga. Galvanized steel
- Control Shaft: 1/4" X 2" Square plated steel
- Quadrant: Plated locking hand operator included
- Minimum Size: 4" X 4"
- Maximum Size: 36" X 12"
- Finish: Mill finish galvanized

JOB _____

LOCATION _____ JOB NO. _____

ENGINEER _____ REPRESENTATIVE _____

CONTRACTOR _____ DATE _____

EGS-1-1998