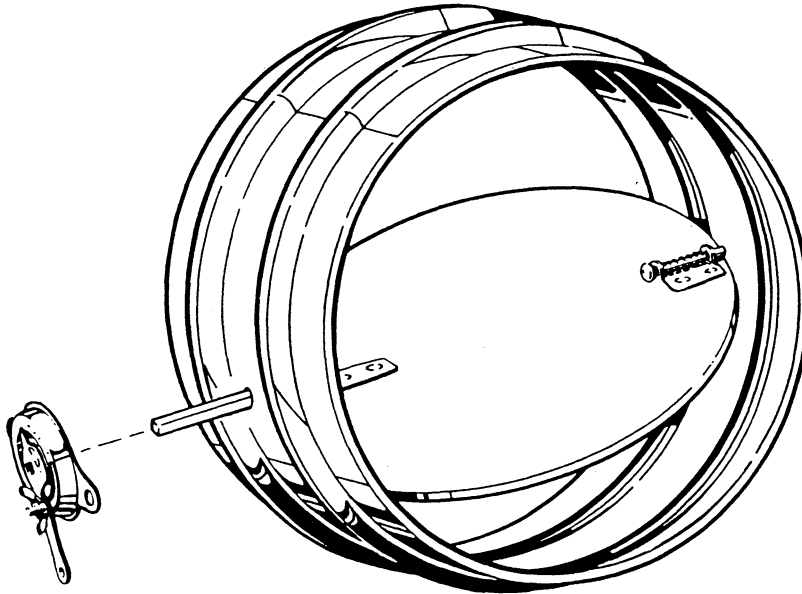
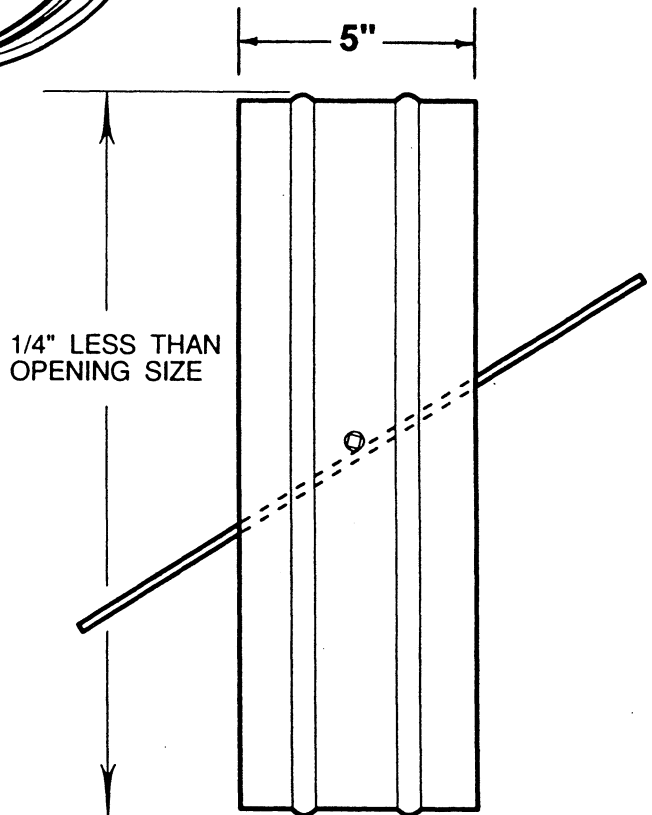


Model EGR Control Damper Light Duty Balancing Damper



STANDARD SPECIFICATIONS

Frame: 5" x 24 ga. Galvanized steel
 Blade: 20 ga. Galvanized steel
 Control Shaft: 1/4" x 2" square plated steel
 Quadrant: Plated locking hand operator included
 Minimum Size: 4" diameter
 Maximum Size: 20" diameter
 Finish: Mill finish galvanized



JOB _____

LOCATION _____ JOB NO. _____

ENGINEER _____ REPRESENTATIVE _____

CONTRACTOR _____ DATE _____