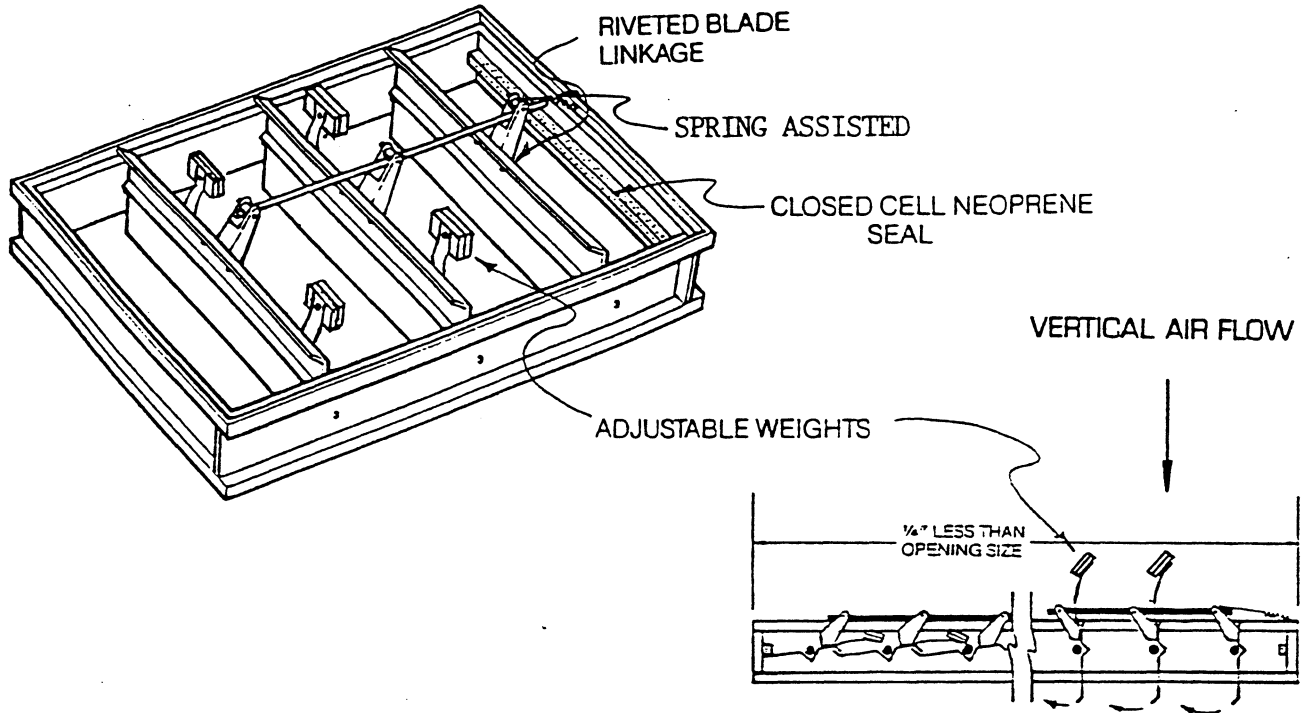


# Model CBD-HD Counter-Balanced Damper Horizontally Mounted - Airflow Down Parallel Blade



## SPECIFICATIONS

**Frame:** 16 Ga. Galvanized Steel, 4-1/2" x 3/4"  
Rollformed Channel

**Blades:** 14 Ga. Aluminum

**Linkage:** Aluminum Brackets with Brass Pivots

**Bushings:** 1/2" I.D. Nylon

**Minimum Size:** 6" x 6" (Single Blade)  
6" x 12" (Parallel Blade)

**Maximum Size:** 52" x 60" (Single Section)

**Finish:** Mill Finish

**Note:** Blade/Linkage Width Varies From  
9.63"-11.63" Depending on Height

JOB \_\_\_\_\_

LOCATION \_\_\_\_\_ JOB NO. \_\_\_\_\_

ENGINEER \_\_\_\_\_ REPRESENTATIVE \_\_\_\_\_

CONTRACTOR \_\_\_\_\_ DATE \_\_\_\_\_

CBD-HD-1-98

**CREATIVE METALS**  
Division of Leader Industries Inc.

P.O. Box 40913  
2509 Cruzen Street

Nashville, TN 37204  
Nashville, TN 37211

Phone: 615-256-3500  
Fax: 800-388-3806

# MODEL CBD COUNTER-BALANCED AIR CONTROL DAMPER

## PERFORMANCE DATA

TEST SIZE 24"x24"

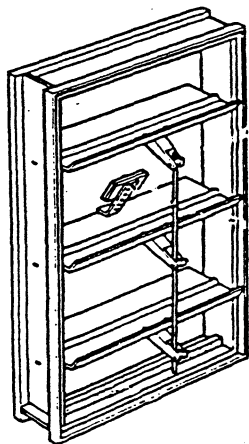
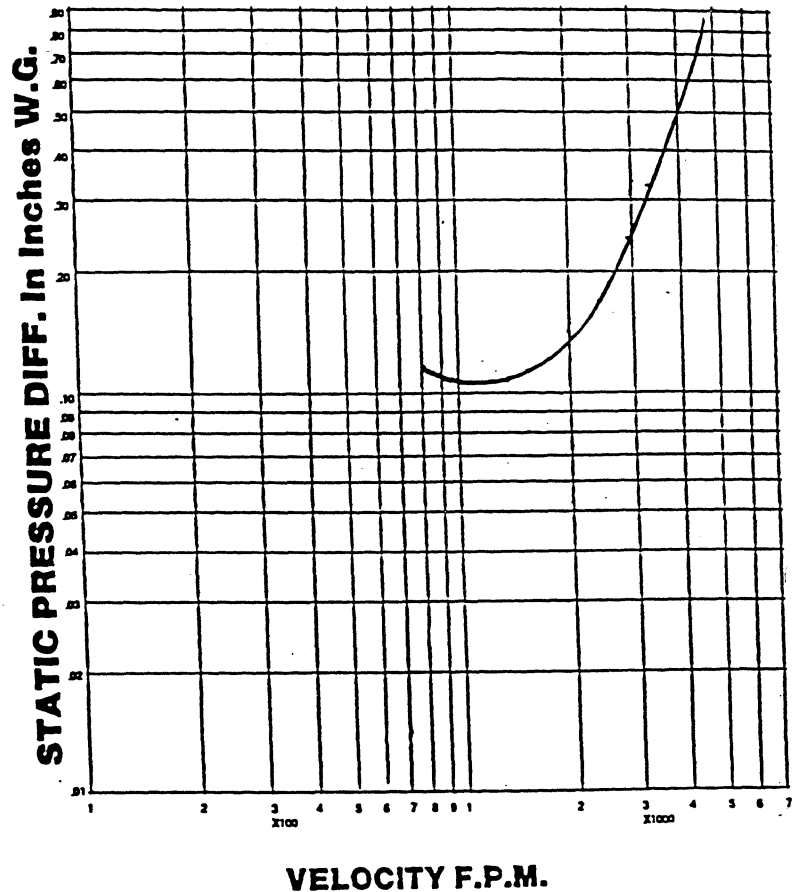
The tables have been developed through tests done at an independent testing laboratory to assist in application and selection of counter-balanced air control dampers.

Performance shown is at standard air density of .075 lb / ft<sup>3</sup>. Pressure drop test are based on AMCA standard 500 using test set-up figure 5.3 for dampers installed with duct upstream and downstream.

Test size is 24" x 24". The velocity at which it begins to open is 9 fpm and .05" s.p., as tested. The velocity at which the blades are fully open is 1676 fpm. The maximum recommended velocity is as follows: 8"w to 24"w is 3800 fpm; 25"w to 36"w is 3400 fpm; and 37"w to 48"w is 3000 fpm.

The counter-balanced dampers are shipped with an over abundance of weights so they may be field adjusted to meet desired operations.

### Pressure Drop



### FREE AREA

### WIDTH

	6	12	18	24	30	36	42	48	52
6	.10	.23	.36	.50	.63	.77	.90	1.04	1.13
12	.27	.65	1.03	1.41	1.80	2.18	2.56	2.94	3.19
18	.43	1.04	1.65	2.26	2.87	3.48	4.09	4.70	5.10
24	.59	1.42	2.26	3.09	3.92	4.76	5.59	6.43	6.98
30	.75	1.81	2.87	3.92	4.98	6.04	7.10	8.16	8.86
36	.91	2.19	3.47	4.76	6.04	7.32	8.60	9.89	10.74
42	1.07	2.57	4.08	5.59	7.09	8.60	10.11	11.62	12.62
48	1.23	2.96	4.69	6.42	8.15	9.88	11.61	13.35	14.50
54	1.39	3.34	5.30	7.25	9.21	11.16	13.12	15.07	16.38
60	1.54	3.72	5.90	8.08	10.26	12.44	14.62	16.80	18.26



A Leaders Industries Division

Free Area is calculated by subtracting blades, frame, and/or linkage from the duct area.