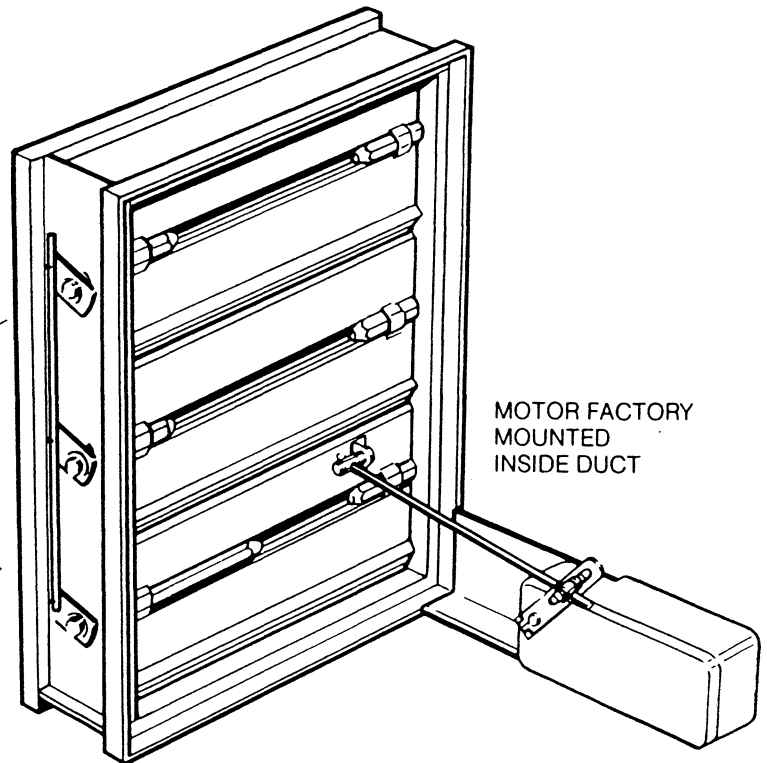


MOTOR FIELD MOUNTED OUTSIDE DUCT

Typical motor mount, linkage and installation for a Standard 3597 motor. Recommended for dampers up to 5 sq. ft. max. face area without seals.

Impedance protected, continuous operation motor for 5 sq. ft. max. damper face area with external return spring. Available in 220, 110, and 24 vac ratings. (Multi-Products 3597 (110vac) and 2654 (24vac))



MOTOR FACTORY MOUNTED INSIDE DUCT

JOB _____
LOCATION _____ JOB NO. _____
ENGINEER _____ REPRESENTATIVE _____
CONTRACTOR _____ DATE _____