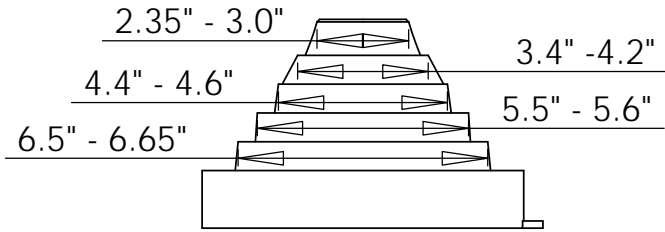


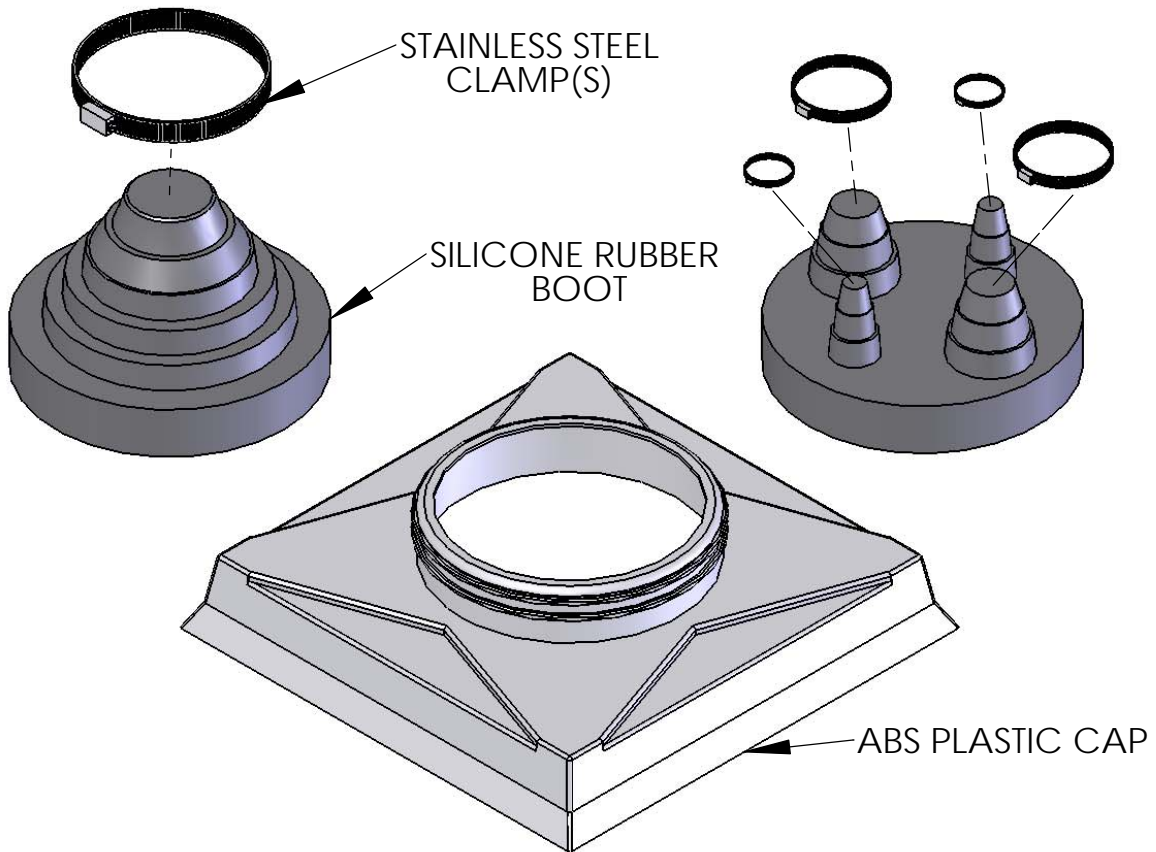
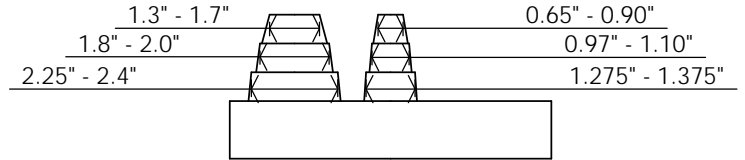
Pipe Penetration Assembly

Dimensions Listed Are The Max and Min I.D. Of The Silicone Conical Shaped Nipples.

Model PP-1



Model PP-4



The PP-1 and PP-4 Pipe Penetration Assemblies Require a 12" x 12" O.D. Roof Curb Base. (Curb Sold Separately)

Specifications

- UV Stabilized Rubber Nipple
- UV Stabilized Hardened Plastic Cap
- Stainless Steel Clamps
- Model PP-1, 1 Clamp Supplied
- Model PP-4, 4 Clamps Supplied

**CREATIVE
METALS**

Div. of Leader Industries Inc.

P.O. Box 40913
Nashville, TN 37204

Ph: 615-256-3500
Fx: 800-388-3806