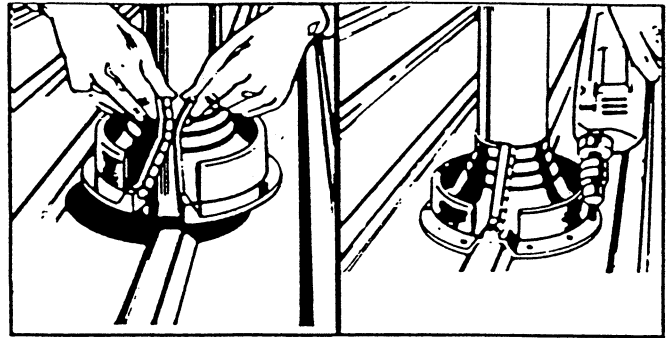


PIPE FLASHING

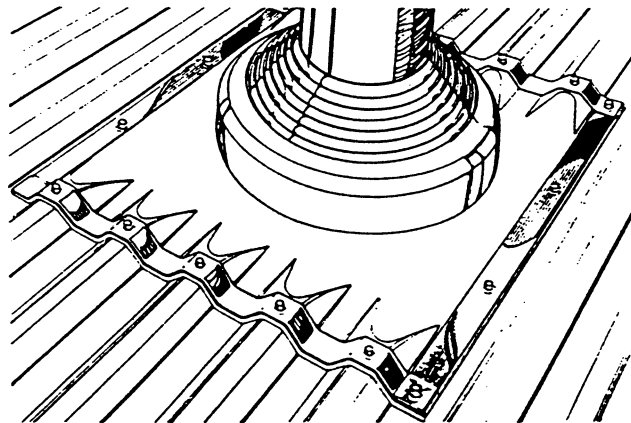


RETROFIT DEKTITE (WRAP-AROUND)

PIPE FLASHING SIZE #	OUTSIDE PIPE DIA.	BASE O.D. DIA.	OVERALL HEIGHT
MINI	1/4" - 1/8"	3 1/2"	1 3/4"
1	1/4" - 2"	4 3/4"	3"
2	1 3/4" - 3 1/4"	6 1/4"	4"
3	1/4" - 4"	7 3/4"	4"
4	3" - 6"	9 1/4"	5"
5	4" - 7"	10 3/4"	5"
6	5" - 9"	12 1/2"	6"
7	6" - 11"	14 1/2"	6"
8	7" - 13"	16 1/2"	6"
9	10" - 18"	25 3/8"	8"
DIVERTER	16" - 24"	39 1/2" x 35"	9"

RETROFIT DEKTITE SELECTOR GUIDE

DEKTITE SIZE NUMBER	OUTSIDE DIA. OF PIPE TO BE FLASHED	DEKTITE BASE DIAMETER	DEKTITE HEIGHT
801	3/4" - 2-3/4"	6-3/10"	3-1/2"
802	2" - 7-1/4"	10-3/4"	5-3/5"
803	3-1/4" - 10"	14-1/2"	5-4/5"



DIVERTER DEKTITE[®] FOR 16" - 24" DIAMETER PIPES

CREATIVE METALS
Division of Leader Industries Inc.

P.O. Box 40913
2509 Cruzen Street

Nashville, TN 37204
Nashville, TN 37211

Phone: 615-256-3500
Fax: 800-388-3806

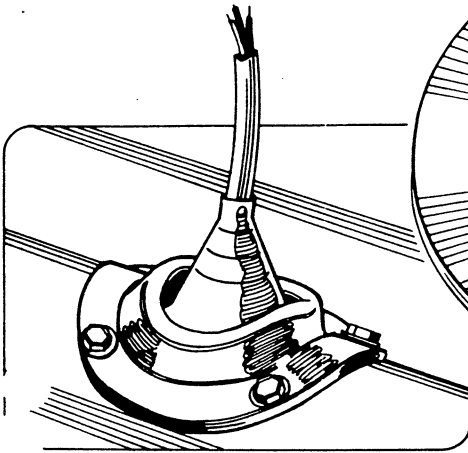
FLASH IT WITH A MINI DEKTITE '100'

A PERFECT SEAL,

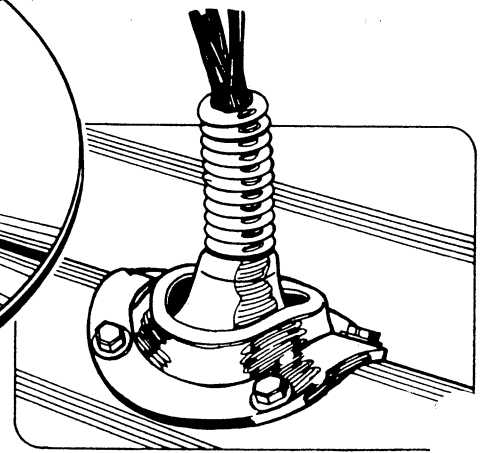
A PROFESSIONAL FINISH EVERY TIME.

MINI DEKTITE '100'
SHOWN ACTUAL SIZE

ELECTRICAL CABLES



**AIR-CONDITIONING
CONDUITS**

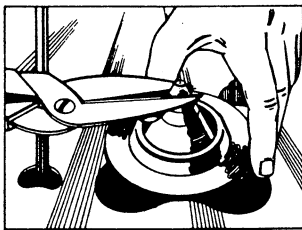


USE WITH $\frac{1}{8}$ " - $\frac{1}{4}$ " PIPE

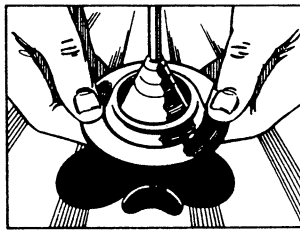
The versatility of Dektite products knows no bounds. Now, Buildex is proud to introduce Mini Dektite '100s' to increase your versatility—they're the latest edition to our range of famous Dektite flashings.

Mini Dektites have been designed specifically for flashing applications such as PVC conduits, electrical wiring and other narrow diameter wall (and roof) penetrations, including copper tubing. Just like other Dektite products their flexible EPDM rubber sleeves are specially compounded to resist corrosion from ozone and ultra violet light. Mini Dektite '100s' are as quick and easy to install as Standard Round Dektites.

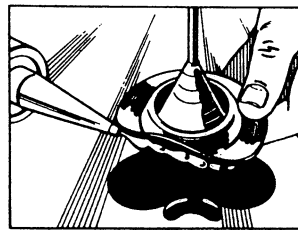
MINI DEKTITE '100' INSTALLATION INSTRUCTIONS



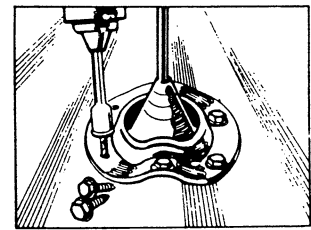
1 Simply cut Mini Dektite '100' cone to required size for 'snug' fit.



2 Push or pull cable or pipe through cone.



3 Apply sealant to underside of flashing (embossed ribbed section). If necessary press flashing into contours of surface configuration.



4 Fasten flashing to wall or roof surface with Scots self drilling screws.

ITW Buildex

**CREATIVE
METALS**

Division of Leader Industries Inc.

P.O. Box 40913
2509 Cruzen Street

Nashville, TN 37204
Nashville, TN 37211

Phone: 615-256-3500
Fax: 800-388-3806