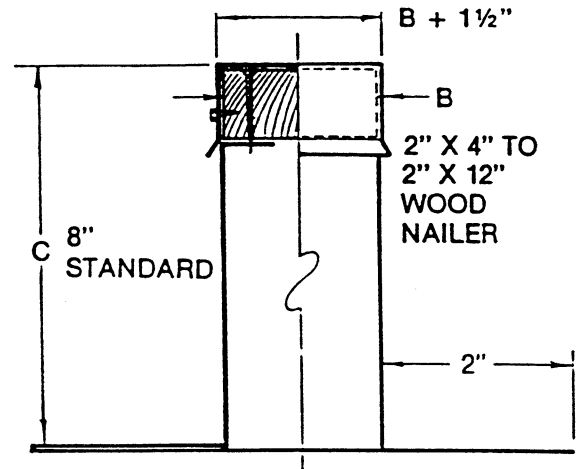
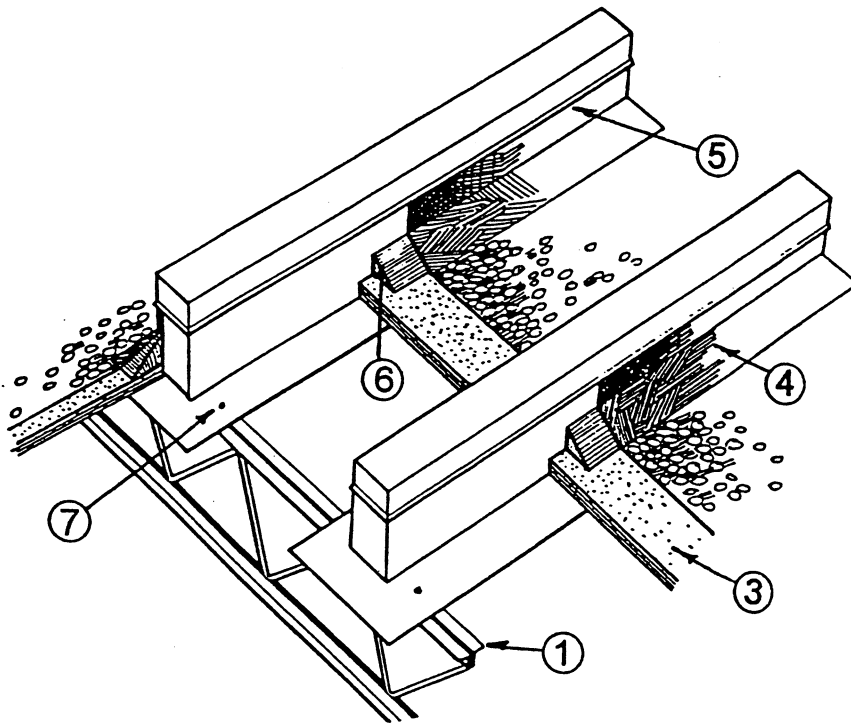
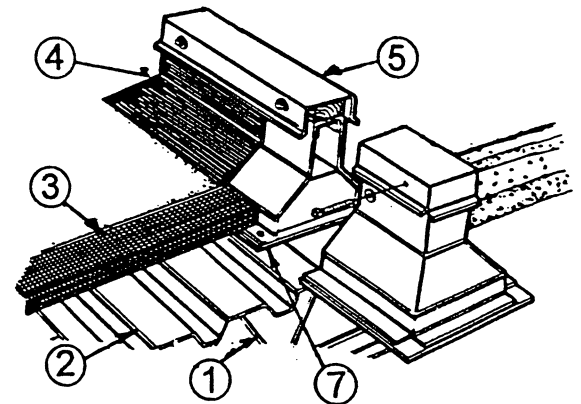


## Equipment Support



- A. Set Equipment Support in desired location.
- B. If the Equipment Support is being used for heavy load bearing equipment, be sure support is crossing a minimum of 2 purlins/ bar joist, or it may be supported underneath with adequate framing or structural steel.
- C. Connect Equipment Support to purlin, bar joist, or roofing deck with welds, bolts, or screws.
- D. Place roofing down so that it completely seals Equipment Support.
- E. Run roofing felt (if needed) from wood nailer under cap to roofing and seal.



1. Purlin / bar joist
2. Roof deck
3. Roofing
4. Roofing felt
5. Equipment Support
6. Cant strip (optional)
7. Support attached to roofing deck

**CREATIVE METALS**

Division of Leader Industries Inc.

P.O. Box 40913  
2509 Cruzen Street

Nashville, TN 37204  
Nashville, TN 37211

Phone: 615-256-3500  
Fax: 800-388-3806