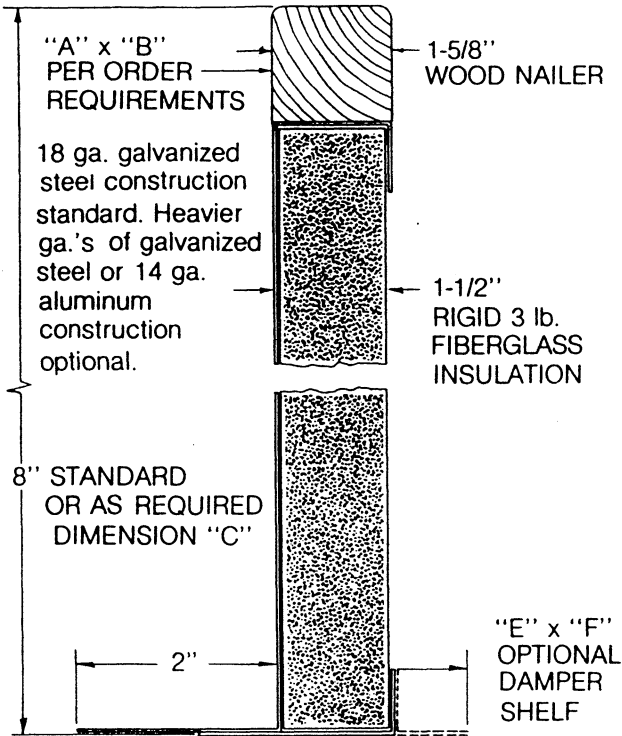
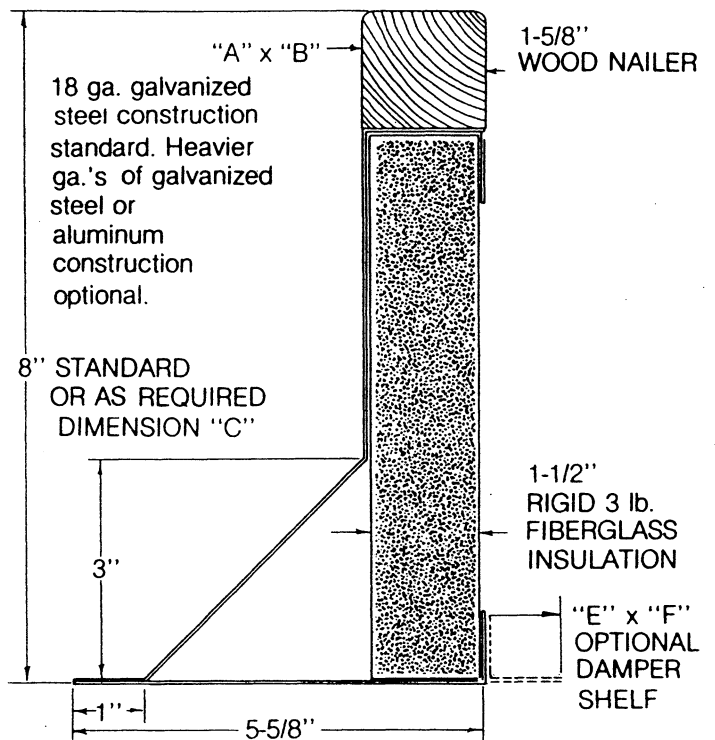


All Welded Roof Curbs

Standard "CSSF" & "CASF" Construction

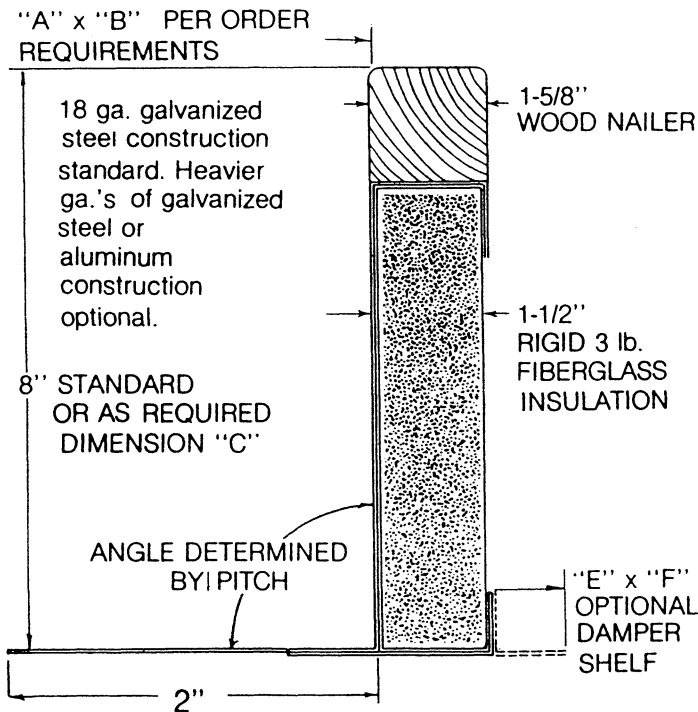


Standard "CST" & "CSPT"
"CAT" & "CAPT" Construction

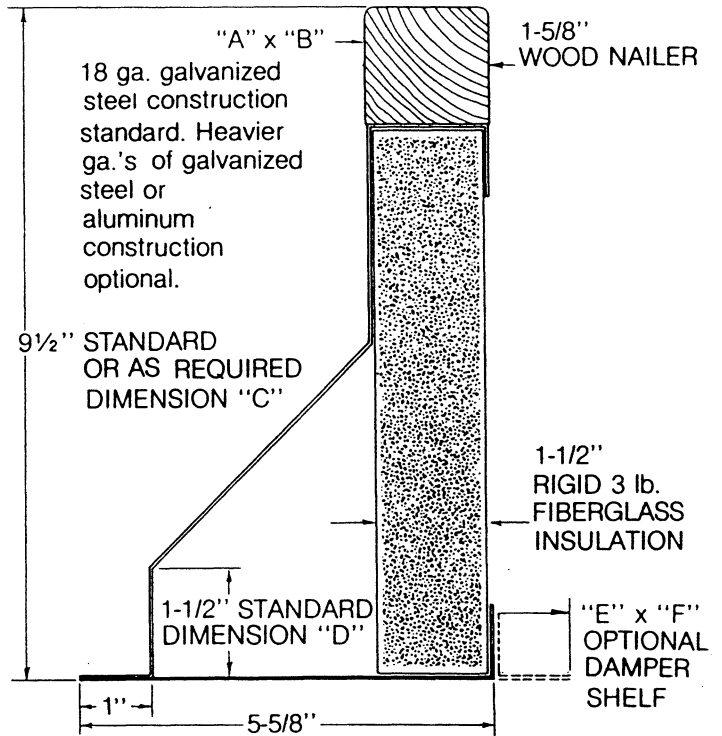


*Curbs For Shingle Roof May Require Extended Flange

Standard "CSDP" & "CSSF-P"
"CADP" & "CASF-P" Construction



Standard "CSRC" & "CARC" Construction



AWRC-9-2000