



DIVISION OF LEADER INDUSTRIES, INC.

# FIELD INSTALLED HINGE KITS FOR ROOF CURBS

Creative Metals hinge kits are for field installation only. A hinge kit consist of the following parts. 2 ea. fan/equipment attachment plates, 2 ea. curb attachment plates, 2 ea 3/8" bolts, 6 ea. 3/8" nuts, 12 ea. 1/2" long sheet metal screws and 12 ea. 3/4" long sheet metals screws. The maximum weight for the fan or equipment being hinged must not exceed 400 pounds.

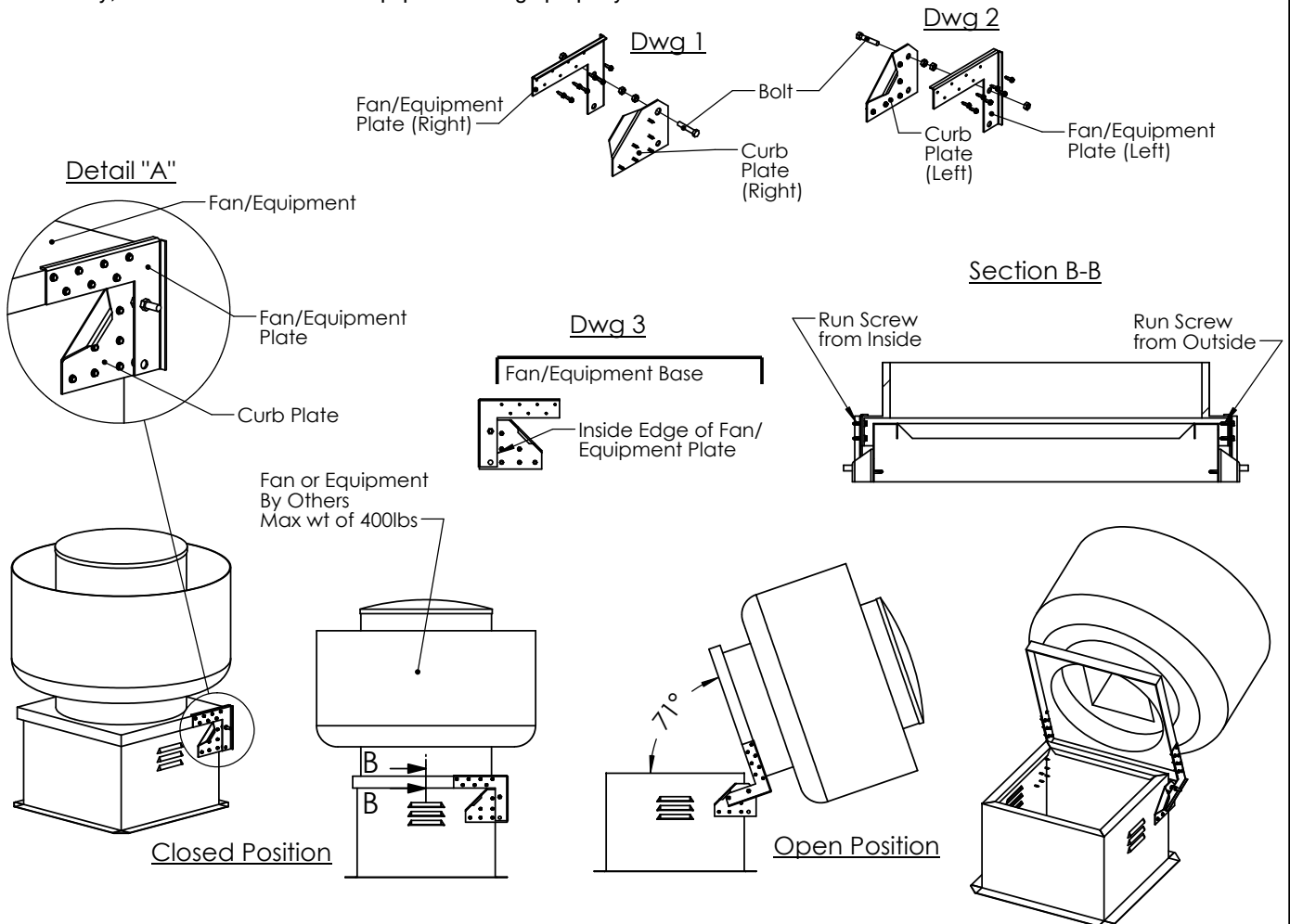
## HINGE KIT INSTALLATION

**STEP # 1** Assemble fan plate with curb plate as shown on **Dwg 1** and **Dwg 2** if parts are not shipped preassembled.

**STEP # 2** See **Detail "A"** for positioning fan/equipment plate on equipment base. Line up fan/equipment base edge to inside of fan/equipment base as shown on **Dwg 3**.

**STEP # 3** Screw the fan/equipment plate to the fan/equipment base using the 12 short (1/2" long) sheet metal screws. If the screws hit the curb, then run the screws from the inside (see **Section B-B**). Always make sure screws do not interfere with the curb when the fan/equipment swings open.

**STEP # 4** Screw the curb plate to the roof curb using the 12 long (3/4" long) sheet metal screws. Tighten the nut and bolt assembly, and then make sure fan/equipment swings properly.



Business Address: 2509 Cruzen St. NASHVILLE, TN 37211 PHONE: 615-256-3500

Mailing Address: P.O. Box 40913 NASHVILLE, TN 37211 FAX: 615-242-3806

DIVISION OF LEADER INDUSTRIES, INC.

Hinged Top Assembly