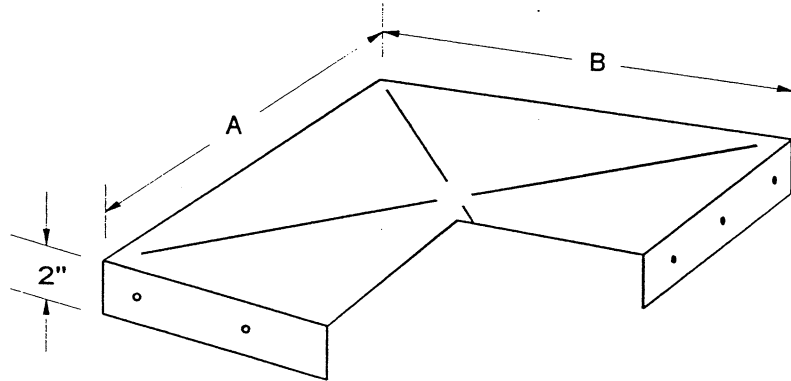


## COUNTER-FLASHING TOPS

### 18 Ga. Galvanized Top – No Wood – Welded Corners

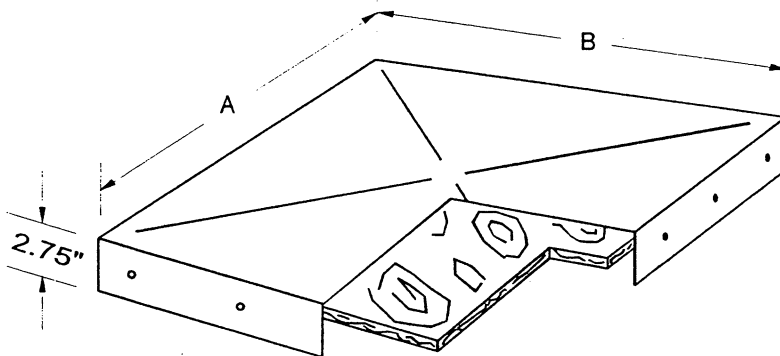
Maximum Recommended O.D. Size (A x B) Without Supports is 24" x 24"



### 18 Ga. Galvanized Top – With Plywood – Welded Corners

Unlimited O.D. Sizes With Extra Bracing

Plywood Underlayment Consist of 3/4" Thick Plywood



#### Options:

- Heavier metal gauges
- Aluminum construction
- Channel support braces

CFT-11-2001