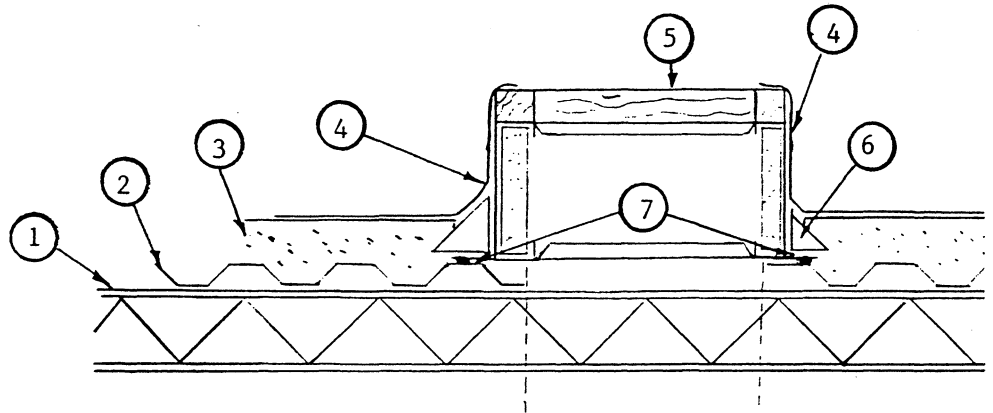
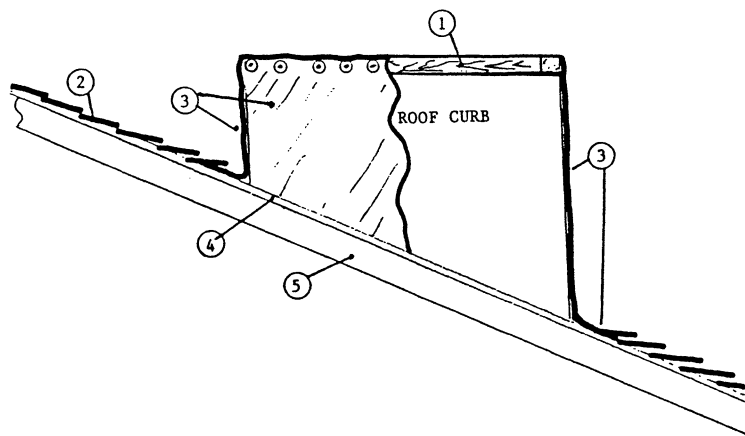


BASIC INSTALLATION INSTRUCTIONS FOR ROOF CURBS

1. Purlin, Bar Joist
2. Roofing Deck
3. Roofing
4. Roofing Felt
5. Self Flashing Roof Curb
6. Cant Strip (optional)
7. Curb Attached to Roofing Deck



- A. Cut hole in roofing and/or decking for desired size, do not exceed inside dimension of roof curb.
- B. Set roof curb centered over hole so it rest on decking.
- C. Secure roof curb to decking by bolts, screws or welds.
- D. Run roofing felts from wood nailor of roof curb down to decking and allow sufficient length to seal in place with roofing cement.
- E. Place roofing down so that it completely seals roof curb.



1. Wood Nailor
2. Typical Shingle Roofing
3. Roofing Felts
4. Decking
5. Framing Members

*Note: Curbs for shingle roofs may require extended Flange

**CREATIVE
METALS**
DIVISION OF LEADER INDUSTRIES, INC.

RCII-9-1995

P.O. Box 40913
2509 Cruzen Street

Nashville, TN 37204
Nashville, TN 37211

Phone: 615-256-3500
Fax: 800-388-3806