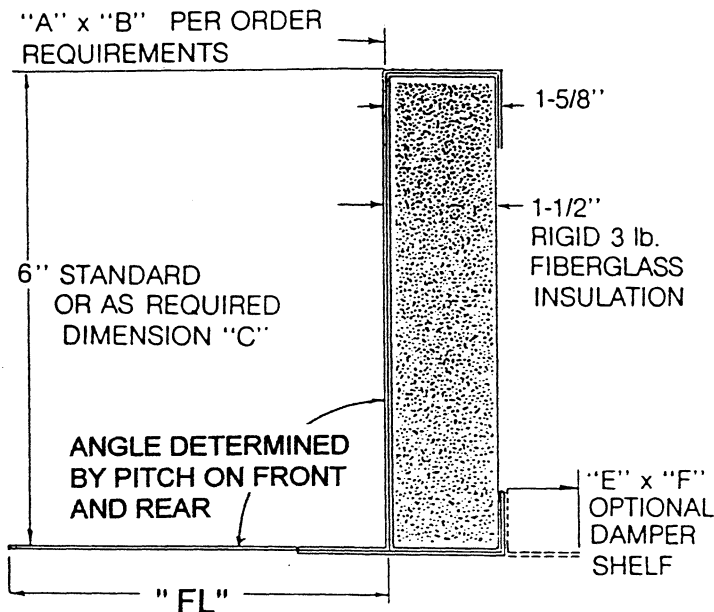


METAL BUILDING ROOF CURB TYPICAL PROFILE



18 ga. Galvalume steel construction standard. Heavier gage's of Galvanized steel, Galvalume™ steel, or Aluminum construction optional.

NOTE: Unless a specific rib location is specified - The factory will place ribs where fewest ribs will be on curb

STANDARD FLANGES "FL"				
MODEL	FRONT	SIDE	REAR	PITCH
MBS-1	9"	3"	3"	SINGLE
MBS-2	N/A	3"	3"	DOUBLE
MBS-3	9"	3"	3"	SINGLE
MBS-5	9"	3"	3"	SINGLE
MBS-LRC	9"	3"	6"	SINGLE
MBS-TE	9"	3"	3"	SINGLE

A

CREATIVE METALS

Division of Leader Industries Inc.

P.O. Box 40913
2509 Cruzen Street

Nashville, TN 37204
Nashville, TN 37211

Phone: 615-256-3500
Fax: 800-388-3806