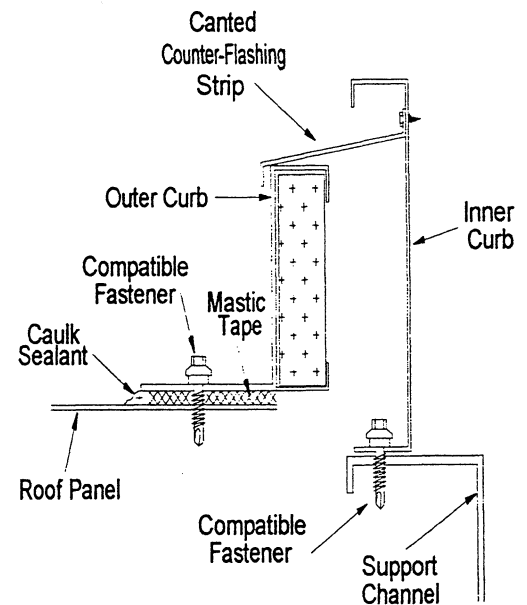
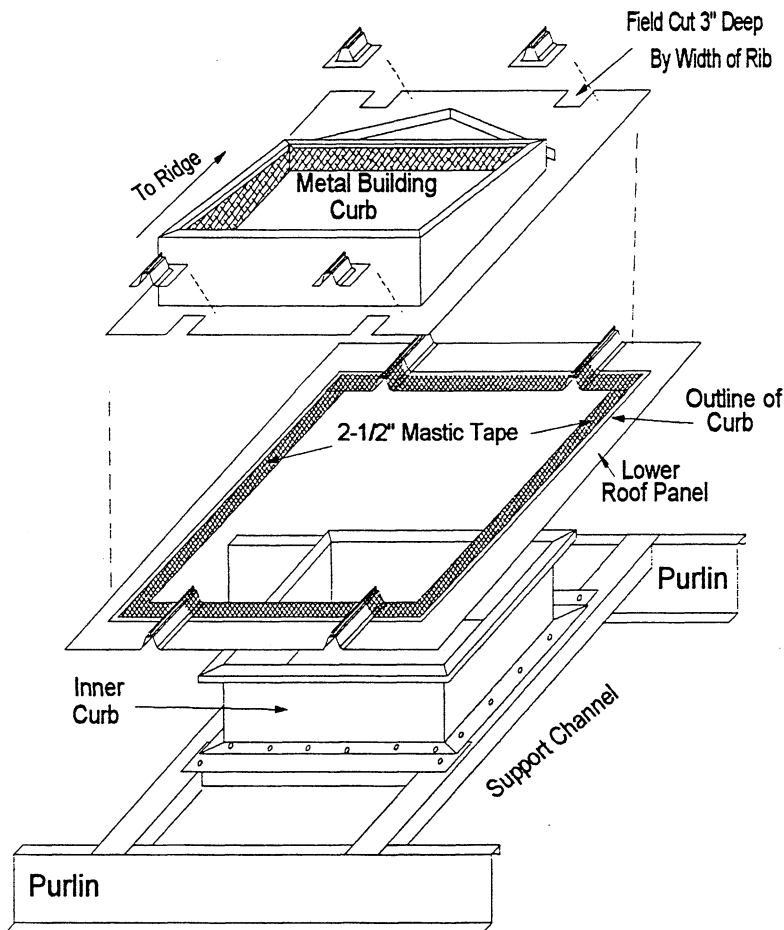


Installation Instructions Metal Building Roof Curbs

Trapezoid Seam Roof Panel Curb Model MBS-TE (Over / Over)

1. Using the large curb as a pattern, mark O.D. of curb on panel with a pencil. Be sure to locate it over the center of the support channels, which are going to be supporting the weight of the small inner curb. Remove the large curb and cut panel 3" to the inside of your penciled line.
2. Position the small inner curb in the center of the opening on the support channels and fasten it to the channels using appropriate fasteners. The small inner curb should rest on at least 2 parallel support channels and have a clearance of 1/2" on all sides. It is recommended that a minimum of fasteners be used per side at a maximum of 6" o.c.



3. Apply tape caulk to the inside of the penciled line on the roof panel. If the large curb requires cuts, notch for rib locations 3 inches deep by width of rib. Place large roof curb over the small inner curb so that the large curb is centered over the small inner curb. Press the large curb into place to prevent gaps in the tape caulk. Fasten the large curb to panel through the curb flange using suitable fasteners spaced a minimum of 6" apart. Use a minimum of 4 fasteners per side. Seal edge of large curb flange with silicone caulk to assure a watertight weather seal
4. Place canted counter-flashing strip, as shown in detail. Using self-tapping screws, attach the canted counter-flashing strip to the small inner curb. Use a minimum of 2 fasteners per side at 12" o.c. Apply silicone caulk where corners of canted counter-flashing strip comes together, to prevent leakage.