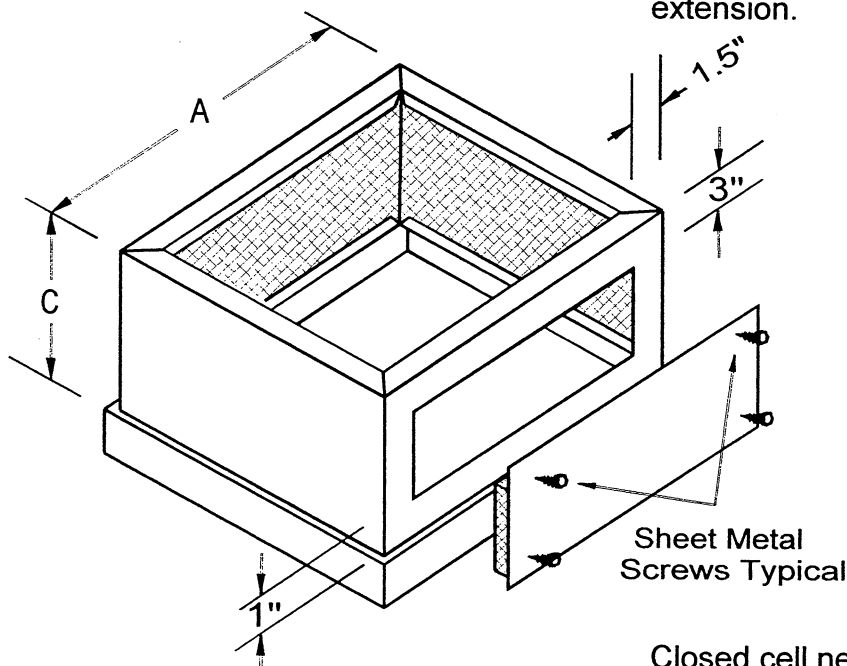


ACCESS PANEL

Specifications:

Constructed of same gauge and material as curb or extension.

Access panel opening maximum width is **3" less** than "A" dimension and maximum opening height is **4" less** than "C" dimension or curb or extension.



Closed cell neoprene gasketing on access panel perimeter.

Access panel secured with sheet metal screws for easy removal.

Insulated with 1½" thick, 3 lb density fiberglass insulation to match curb or extension. Omitted on non-insulated models.

Access panel shown on curb extension for illustration only.
Available option on all roof curb styles and curb extensions.

ACCESS-PANEL-11-2001