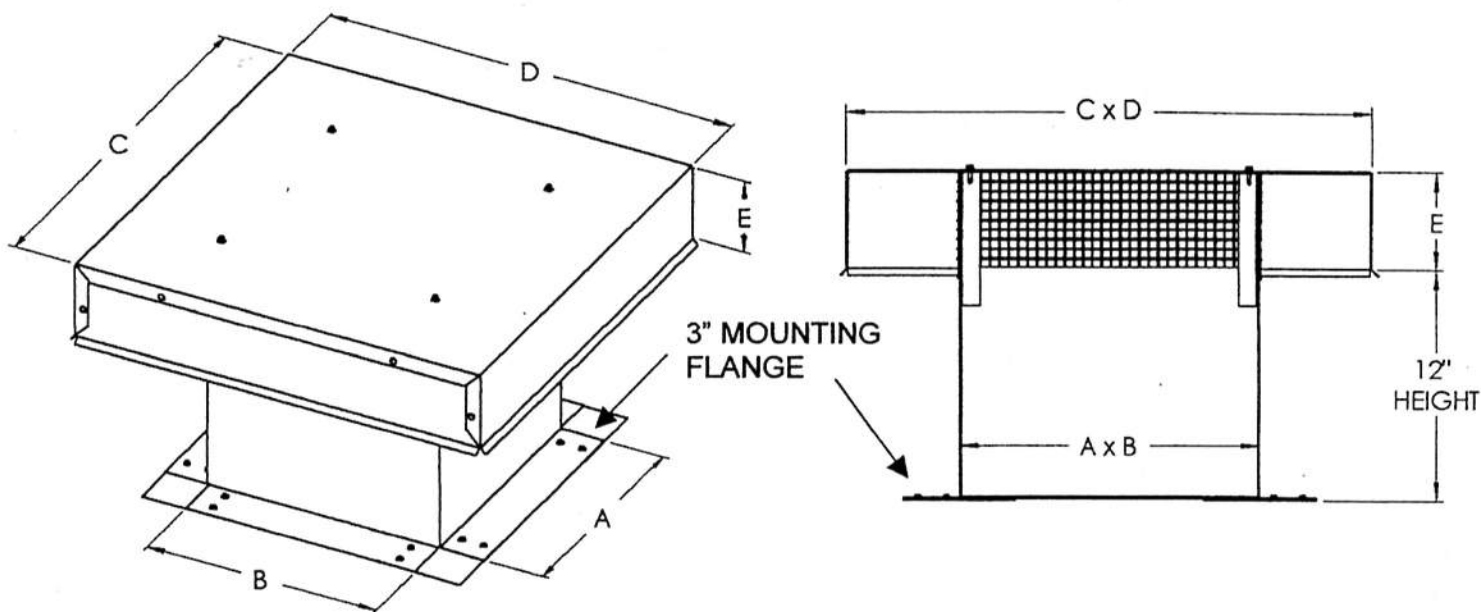


GVC SERIES GRAVITY VENTS

All Aluminum Gravity Vent With Integral Mounting Base



SPECIFICATIONS:

- Hood / Integral Mounting Base: 16 gauge (.052) Mill Finish Aluminum
- Bird Screen: 19 gauge 1/2" Square Mesh Galvanized Steel

OPTIONS:

- 1/2 " Expanded Aluminum Bird Screen
- Anti-Condensate Under Coating Inside

CFM AND STATIC PRESSURE LOSS TABLES:

Pressure Drop*				
0.03	0.06	0.11	0.15	0.2

Model	Throat Size (in)	Hood Size (in)	Free Area (ft ²)	Throat Velocity (ft/min)				
	A x B	C x D x E		484	681	924	1046	1211
GVC-08	8 x 8	14 x 14 x 5	0.44	215	303	411	465	538
GVC-10	10 x 10	17 x 17 x 5	0.69	336	473	642	726	841
GVC-12	12 x 12	21 x 21 x 5	1.00	484	681	924	1046	1211
GVC-14	14 x 14	24 x 24 x 5	1.36	659	927	1258	1424	1648
GVC-16	16 x 16	28 x 28 x 5	1.78	860	1211	1643	1860	2153

*Tested per AMCA Standard 500-75. Ratings DO Include Bird Screen Loss.

GVC-5-2005

CREATIVE METALS
DIVISION OF LEADER INDUSTRIES INC.

P.O. BOX 40913
2509 CRUZEN ST.

NASHVILLE, TN. 37204
NASHVILLE, TN. 37211

PHONE 615-256-3500
FAX 800-388-3806